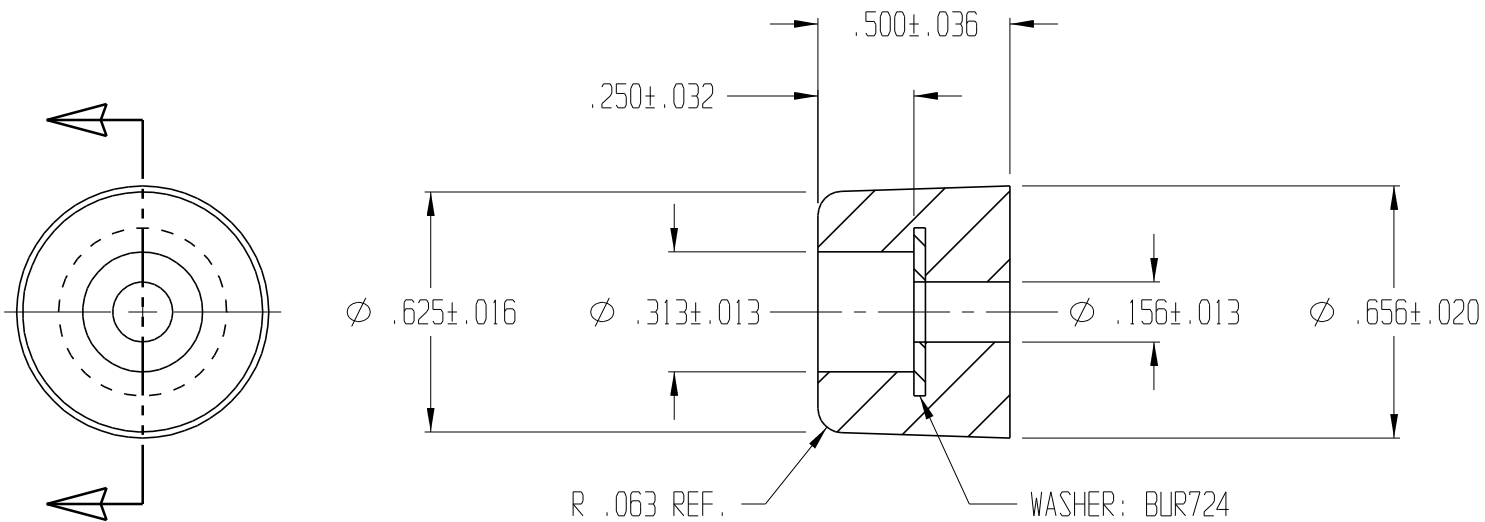


REVISIONS					
ECN	REV.	BY	DESCRIPTION	DATE	APPROVED
	4	MAD	REDRAWN TO CADKEY	3/3/98	
	5	MAD	.250 WAS .313	12/10/98	



UNLESS OTHERWISE SPECIFIED
DIMENSIONS ARE IN INCHES
TOLERANCES ARE
DECIMALS MM ANGULAR



LAVELLE IND., INC.
665 McHENRY St. BURLINGTON, WISC. 53105
Ph. 414/763-2434 Fax 414/763-5607

TITLE **RECESS BUMPER**

MATERIAL **F57006** SHEET **1** OF **1**

DRAWN **M A DEAN** DATE **10/9/92**

SIZE **A** SCALE **2X** PART NO. **513RW** REV. **5**

CHECK DATE

DESIGN DATE

FILE PATH **W:\CAD FILES\PARTS\ STOCK\RECSBPR\513RW\513RW.prt**