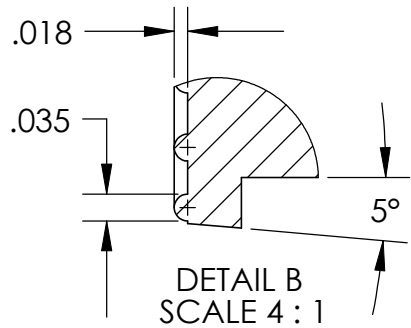


SECTION A-A
SCALE 2 : 1



DETAIL B
SCALE 4 : 1



SCALE 1:1
VOLUME: .057in³

UNLESS OTHERWISE SPECIFIED:		NAME	DATE	Lavelle Industries, Inc.			
DIMENSIONS ARE IN INCHES TOLERANCES:	DRAWN	MAD	02/24/09			TITLE: BLACK FOOT	
ANGULAR: $\pm 0.5^\circ$ DECIMAL $\pm .015$	CHECKED						
INTERPRET GEOMETRIC TOLERANCING PER:	ENG APPR.						
MATERIAL	MFG APPR.			SIZE	DWG. NO.		
F56008	PROPRIETARY AND CONFIDENTIAL THE INFORMATION CONTAINED IN THIS DRAWING IS THE SOLE PROPERTY OF LAVELLE INDUSTRIES, INC. ANY REPRODUCTION IN PART OR AS A WHOLE WITHOUT THE WRITTEN PERMISSION OF LAVELLE INDUSTRIES, INC. IS PROHIBITED.			A	M8050		
DO NOT SCALE DRAWING				SCALE: 2:1	WEIGHT:	SHEET 1 OF 1	