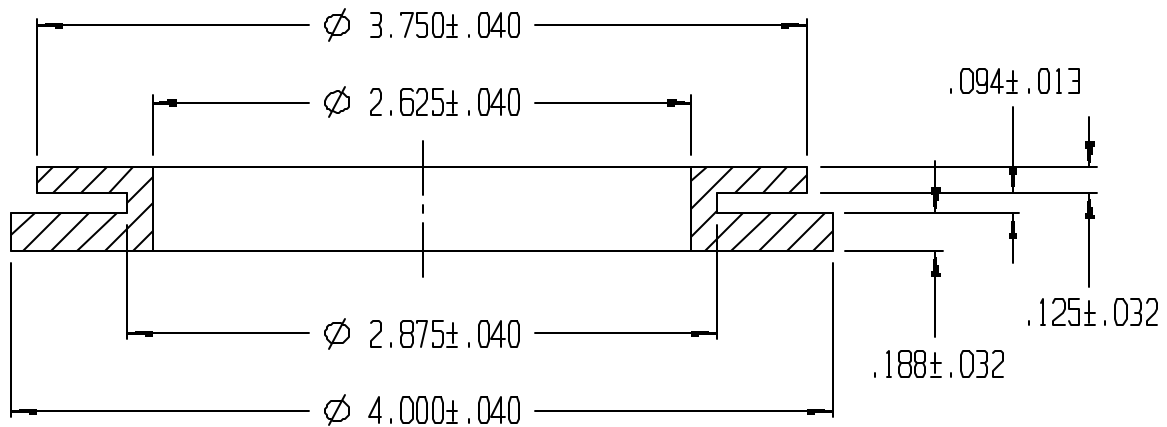
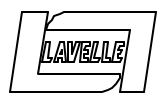


REVISIONS					
REV.	ZONE	BY	DESCRIPTION	DATE	APPROVED
3		MAD	REDRAWN TO CADKEY	11/10/97	



UNLESS OTHERWISE SPECIFIED
DIMENSIONS ARE IN INCHES
TOLERANCES ARE
DECIMALS MM ANGULAR



LAVELLE IND., INC.
665 McHENRY St. BURLINGTON, WISC. 53105
Ph. 414/763-2434 Fax 414/763-5607

TITLE: **GROMMET**

MATERIAL: **F55004** SHEET 1 OF 1

DRAWN: **M A DEAN** DATE: **12/14/92**

SIZE: **A** SCALE: **1X** PART NO.: **1088** REV.: **3**

CHECK: DATE: DESIGN: DATE:

FILE: **g:\cadkey\parts\stock\grommets\1088.prt**