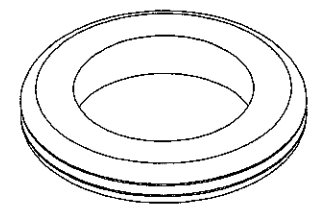
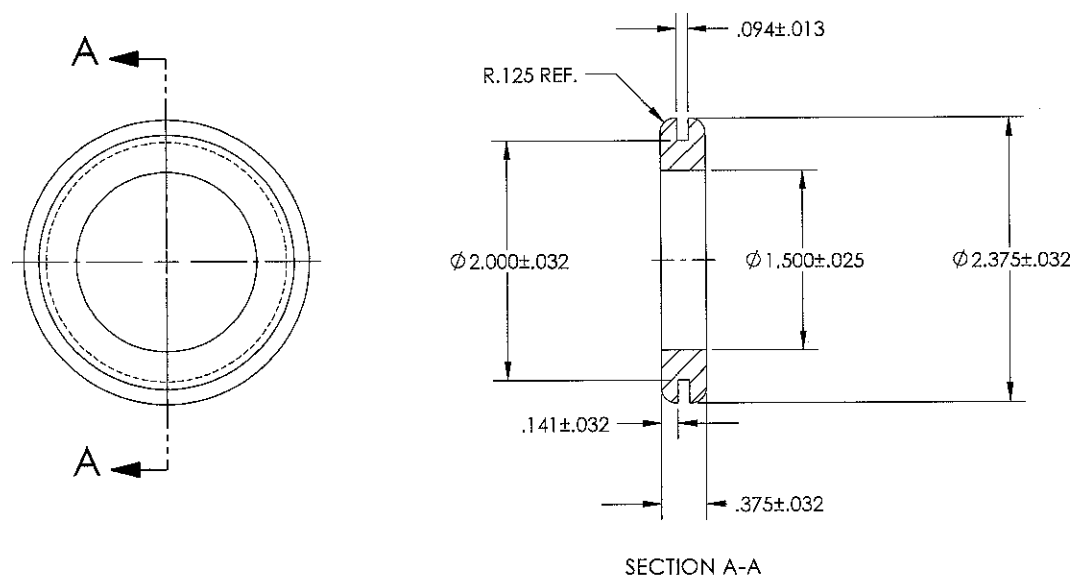


8 7 6 5 4 3 2 1

REVISIONS				
ECN	REV.	DESCRIPTION	DATE	APPROVED
	4	REDRAWN IN SOLIDWORKS	7/24/2008	



VOLUME: .83in^3

D
C
B
A

D
C
A

8 7 6 5 4 3 2 1

UNLESS OTHERWISE SPECIFIED:	NAME	DATE
DIMENSIONS ARE IN INCHES	DRAWN	MAD 07/24/08
TOLERANCES:	CHECKED	
FRACTIONAL ±1/64"	ENG APPR.	
ANGULAR: ±0.5°	MFG APPR.	
TWO PLACE DECIMAL ±.01		
THREE PLACE DECIMAL ±.005		
INTERPRET GEOMETRIC TOLERANCING PER:	PROPRIETARY AND CONFIDENTIAL THE INFORMATION CONTAINED IN THIS DRAWING IS THE SOLE PROPERTY OF LAVELLE INDUSTRIES, INC. ANY REPRODUCTION IN PART OR AS A WHOLE WITHOUT THE WRITTEN PERMISSION OF LAVELLE INDUSTRIES, INC. IS PROHIBITED.	
MATERIAL	F55004	
DO NOT SCALE DRAWING		

Lavelle Industries, Inc.		
TITLE:		
GROMMET		
SIZE	DWG. NO.	REV
B	1064	4
SCALE: 1:1	WEIGHT:	SHEET 1 OF 1

FILE PATH - N:\CAD\PARIS\STOCK\GROMMETS\1064\1064.sldprt