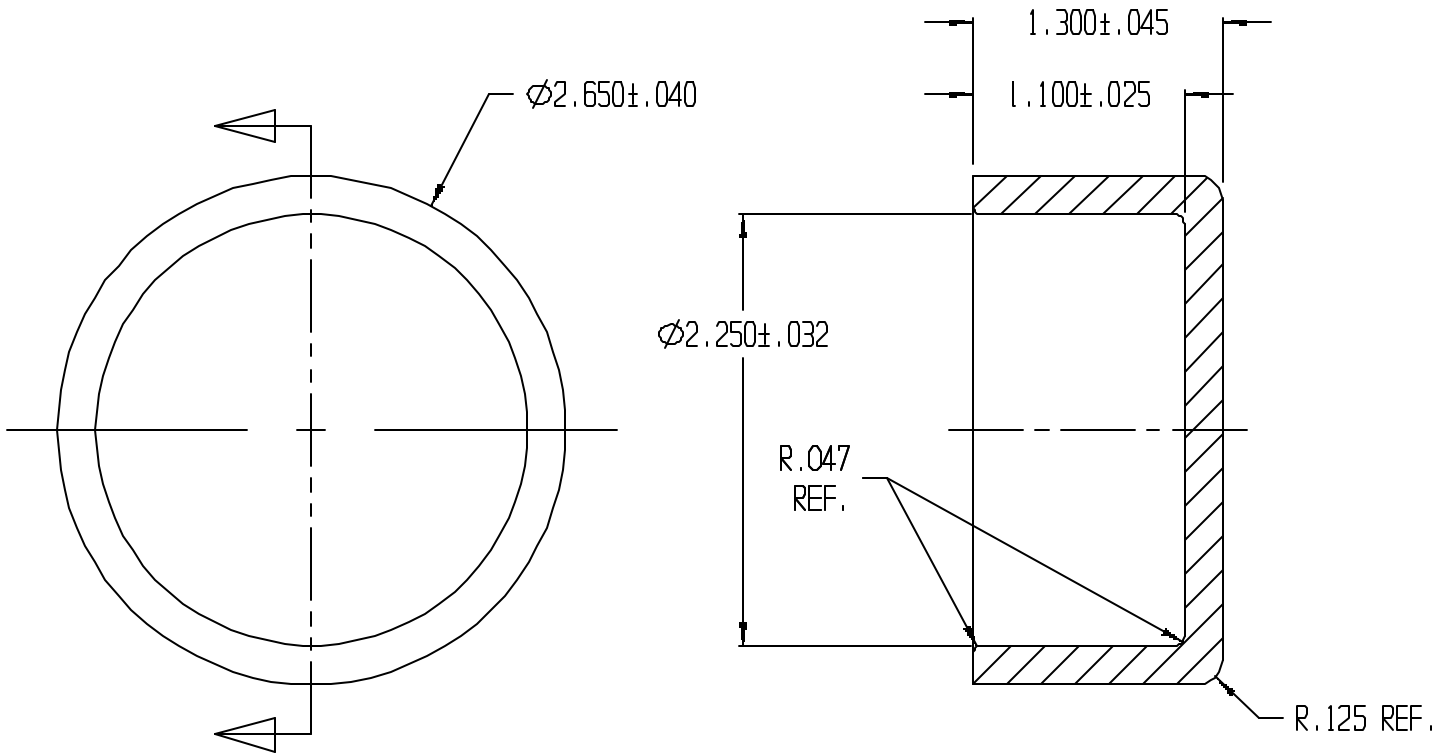


REVISIONS					
ECN	REV.	BY	DESCRIPTION	DATE	APPROVED
	3	MAD		12/12/01	



UNLESS OTHERWISE SPECIFIED
DIMENSIONS ARE IN INCHES
TOLERANCES ARE
DECIMALS IN ANGULAR



LAVELLE IND., INC.
665 McHENRY St. BURLINGTON, WISC. 53105

TITLE TIP

MATERIAL F56010 SHEET 1 OF 1

DRAWN M A DEAN DATE 12/17/90

SIZE A SCALE 1x PART NO. T4048 REV. 3

CHECK DATE

DESIGN DATE

FILE PATH g:\cadkey\parts\stock\tips\t4048.prt