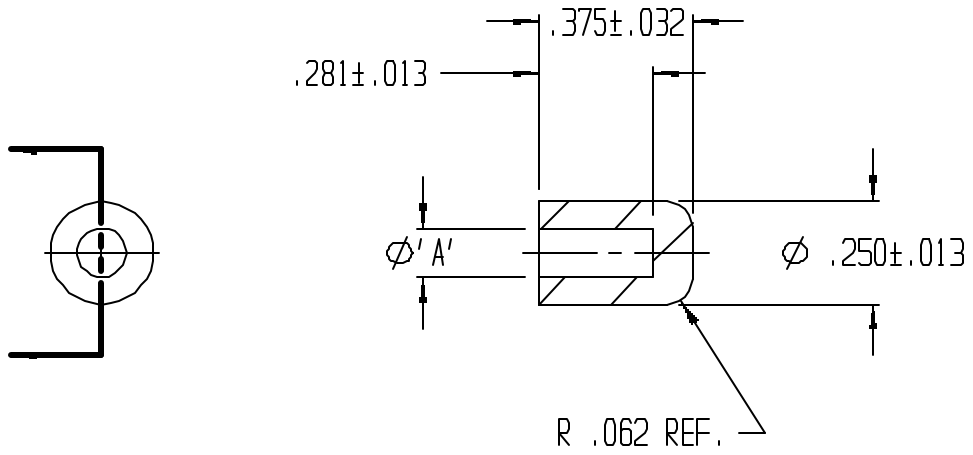
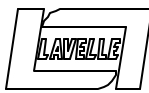


REVISIONS					
REV.	ZONE	BY	DESCRIPTION	DATE	APPROVED
2		MAD	REDRAWN TO CADKEY	6/2/97	
3		MAD	REVISED TOLERANCE CALL OUTS	1/16/98	



PART NO.	$\phi 'A'$	+/-
T1	.047	.013
T2	.120	.013
T3	.094	.013

DRAWN	M A DEAN	DATE	11/3/92
CHECK		DATE	
DESIGN		DATE	



LAVELLE IND., INC.
 665 McHENRY St. BURLINGTON, WISC. 53105
 Ph. 414/763-2434 Fax 414/763-5607

TITLE		TIP	
MATERIAL			SHEET 1 OF 1
F55004			
SIZE	SCALE	PART NO.	REV.
A	2x	SEE LIST	3
FILE			
g:\cadkey\parts\stock\tips\t1-2-3.prt			