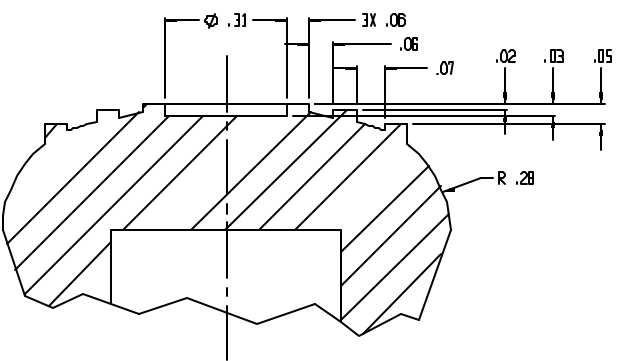
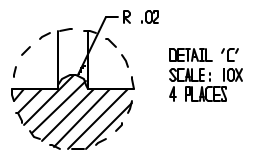
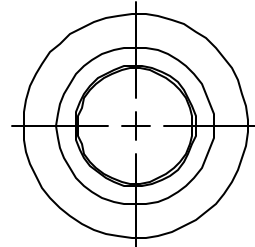
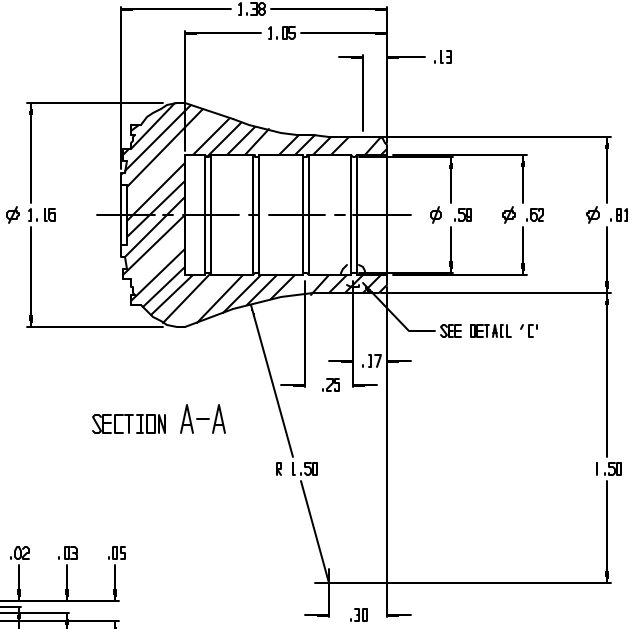
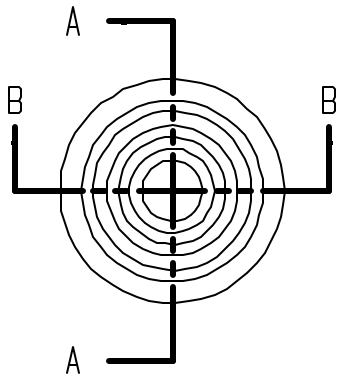


REVISIONS					
ECN NO.	ZONE	BY	DESCRIPTION	DATE	APPROVED
2		MAD	DELETED OUTSIDE RIBS - ADDED DETAIL 'C'	2/2/98	



SECTION B-B  
SCALE: 4x

RMA TOLERANCES: A4 BASIC			
SIZE (INCHES)			
ABOVE	INCL.	FIXED	CLOSURE
D.00	D.40	±.013	±.032
D.40	D.63	.016	.036
D.63	1.00	.020	.040
1.00	1.60	.025	.045
1.60	2.50	.032	.050
2.50	4.00	.040	.056
4.00	6.30	.050	.063
6.30	& OVER	.063	.075
MULTIPLY BY		.008	.010

DRAWN	DATE
M A DEAN	10/18/92
CHECK	DATE
DESIGN	DATE

**LAVELLE** LAVELLE IND., INC.  
665 McHENRY ST. BURLINGTON, WISC. 53105  
Ph. 414/763-2434 Fax 414/763-5607

TITLE: CRUTCH TIP

MATERIAL: F86201 SHEET 1 OF 1

SIZE: C SCALE: 2x PART NO.: 17G REV. 2

FILE: g:\cadkey\parts\stock\tips\17g.prt