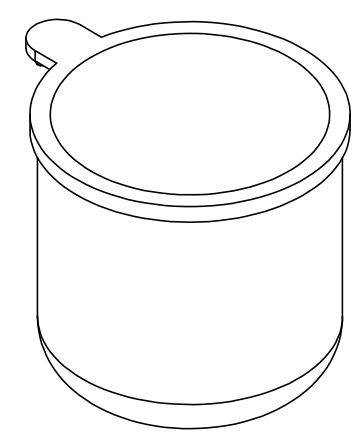
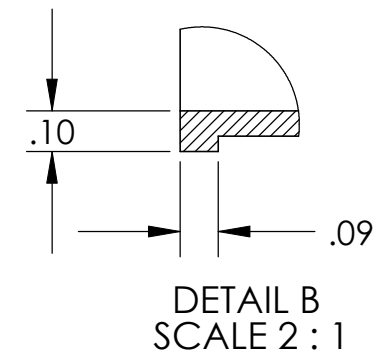
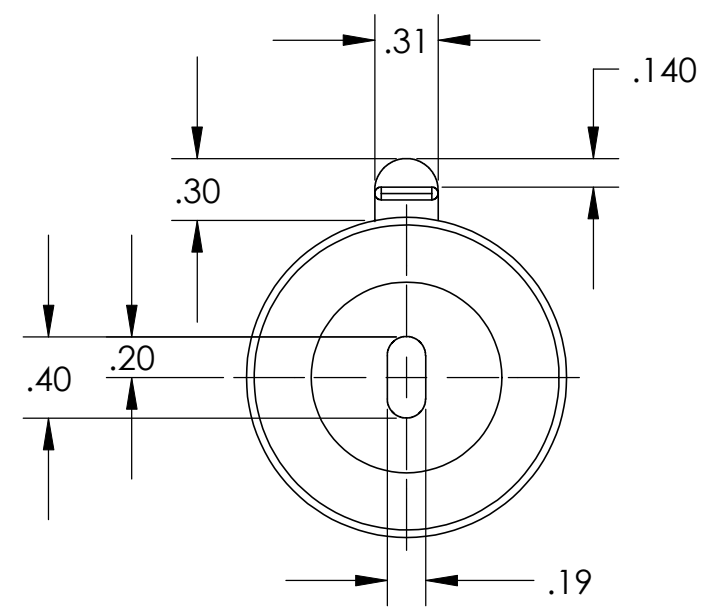
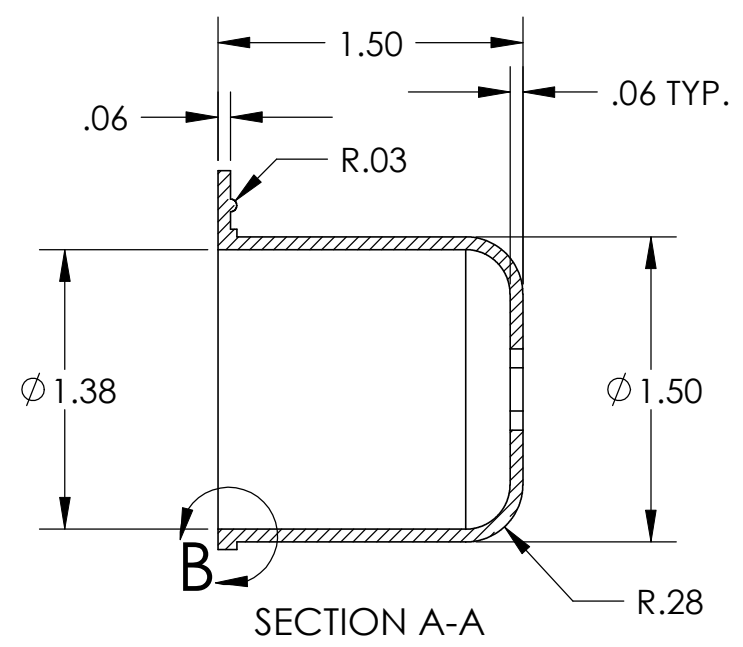
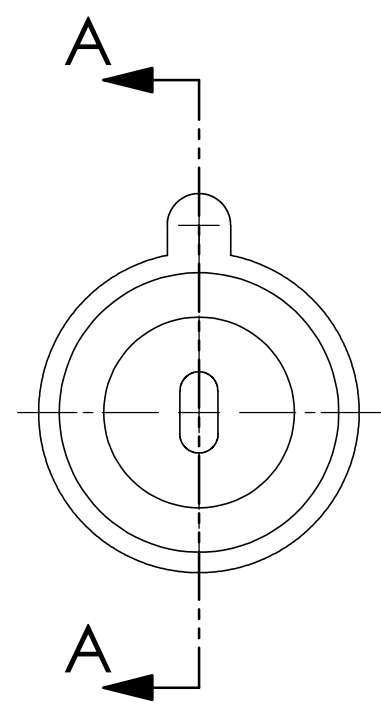


8 7 6 5 4 3 2 1

D  
C  
B  
A



VOLUME: .50in<sup>3</sup>

8 7 6 5 4 3 2 1

UNLESS OTHERWISE SPECIFIED:		NAME	DATE
DIMENSIONS ARE IN INCHES TOLERANCES:  PER RMA CLASS A3 "COMMERCIAL"	DRAWN	MAD	08/18/10
	CHECKED		
	ENG APPR.		
	MFG APPR.		
INTERPRET GEOMETRIC TOLERANCING PER:	<b>PROPRIETARY AND CONFIDENTIAL</b>		
MATERIAL	THE INFORMATION CONTAINED IN THIS DRAWING IS THE SOLE PROPERTY OF LAVELLE INDUSTRIES, INC. ANY REPRODUCTION IN PART OR AS A WHOLE WITHOUT THE WRITTEN PERMISSION OF LAVELLE INDUSTRIES, INC. IS PROHIBITED.		
DO NOT SCALE DRAWING			

<b>Lavelle Industries, Inc.</b>		
TITLE: <b>CAPACITOR BOOT</b>		
SIZE <b>B</b>	DWG. NO. <b>M8176</b>	REV
SCALE: 1:1	WEIGHT:	SHEET 1 OF 1

FILE PATH - N:\CAD\PARTS\STOCK\SynTex\M8176\M8176.siddrw