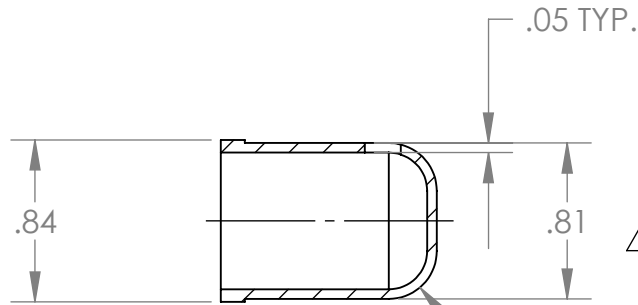
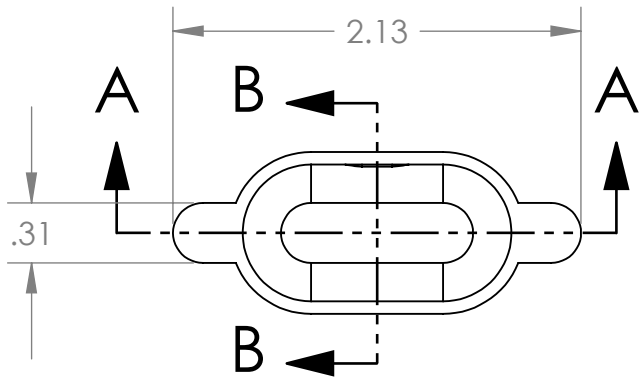


| REVISIONS |      |                         |          |          |
|-----------|------|-------------------------|----------|----------|
| ECN       | REV. | DESCRIPTION             | DATE     | APPROVED |
| 13616     | 1    | ADDED UL CERTIFICATIONS | 6/9/2023 | TTS      |



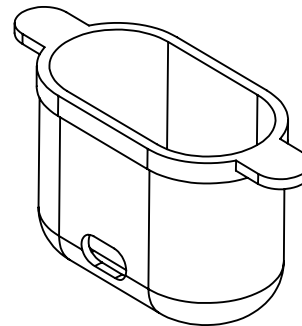
SECTION B-B R.25 REF.

THIS MATERIAL HAS BEEN EVALUATED IN ACCORDANCE WITH THE REQUIREMENTS FOR GASKETS IN:



THE ELEVENTH EDITION OF UL 50, STANDARD FOR ENCLOSURES FOR ELECTRICAL EQUIPMENT

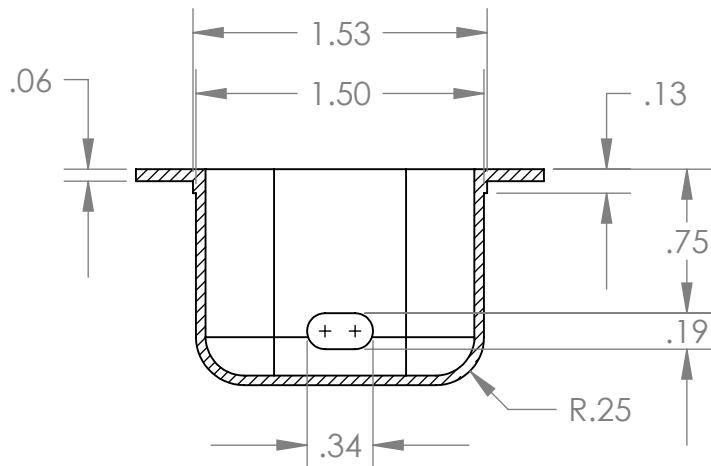
THE FIRST EDITION OF UL 50E (CONTINUOUS COMPRESSION ONLY), STANDARD FOR SAFETY FOR ENCLOSURES FOR ELECTRICAL EQUIPMENT, ENVIRONMENTAL CONSIDERATIONS



VOLUME: .25in<sup>3</sup>

THE FINAL APPLICATION SHOULD BE REVIEWED TO DETERMINE WHETHER THE TEST RESULTS INCLUDED HEREIN ARE COMPATIBLE FOR THE FINAL USE DEVICE AND WHETHER OPERATION, LEAKAGE OR OTHER MECHANICAL TESTS ARE REQUIRED

THIS PRODUCT HAS BEEN EVALUATED TO BI-NATIONAL STANDARD CAN/CSA - C22.2 NO 236-M90, UL 1995



SECTION A-A

|   |   |              |
|---|---|--------------|
| UNLESS OTHERWISE SPECIFIED:   | NAME  | DATE         |
| DIMENSIONS ARE IN INCHES<br>TOLERANCES:<br>RMA CLASS A3<br>COMMERCIAL | DRAWN   | MAD 12/04/09 |
|   | CHECKED   |              |
|   | ENG APPR.   |              |
|   | MFG APPR.   |              |
| INTERPRET GEOMETRIC<br>TOLERANCING PER:                               | <b>PROPRIETARY AND CONFIDENTIAL</b>   |              |
| MATERIAL  | THE INFORMATION CONTAINED IN THIS DRAWING IS THE SOLE PROPERTY OF LAVELLE INDUSTRIES, INC. ANY REPRODUCTION IN PART OR AS A WHOLE WITHOUT THE WRITTEN PERMISSION OF LAVELLE INDUSTRIES, INC. IS PROHIBITED. |              |
| <b>F65024</b>   |   |              |
| DO NOT SCALE DRAWING  |   |              |

**Lavelle Industries, Inc.**

TITLE:

**CAPACITOR BOOT**

|          |              |          |
|----------|--------------|----------|
| SIZE     | DWG. NO.     | REV      |
| <b>A</b> | <b>M8066</b> | <b>1</b> |

SCALE: 1:1 WEIGHT: SHEET 1 OF 1