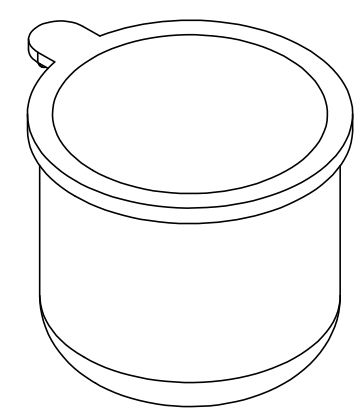
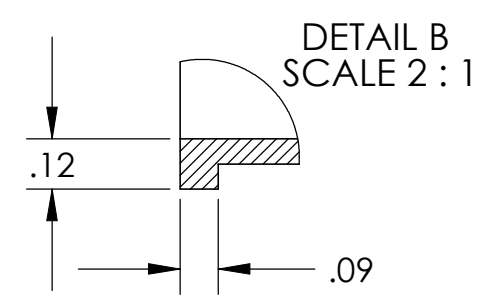
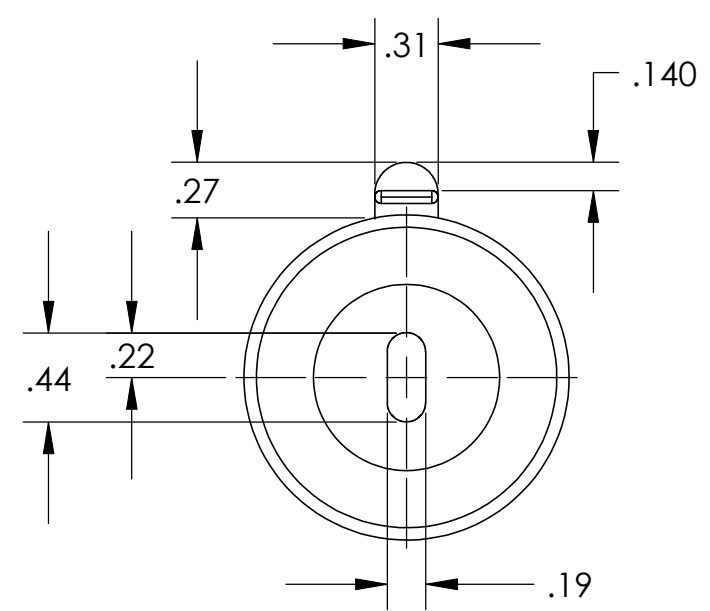
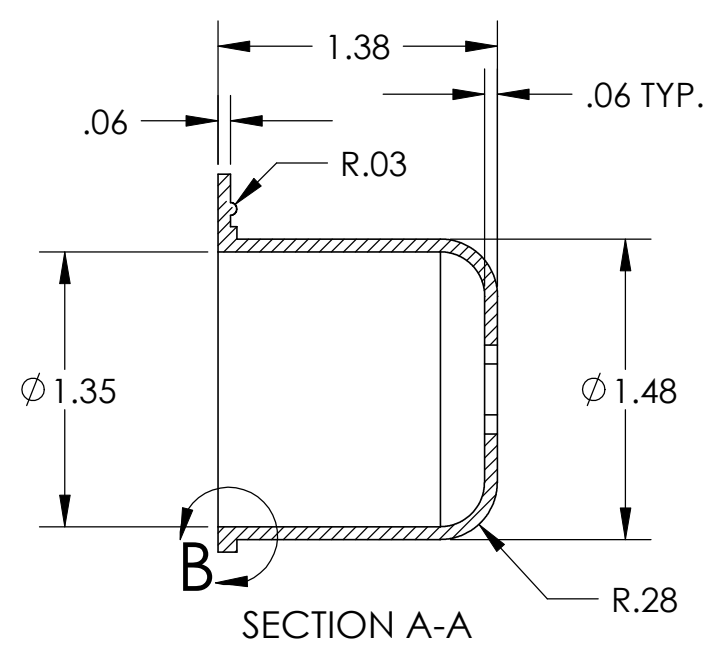
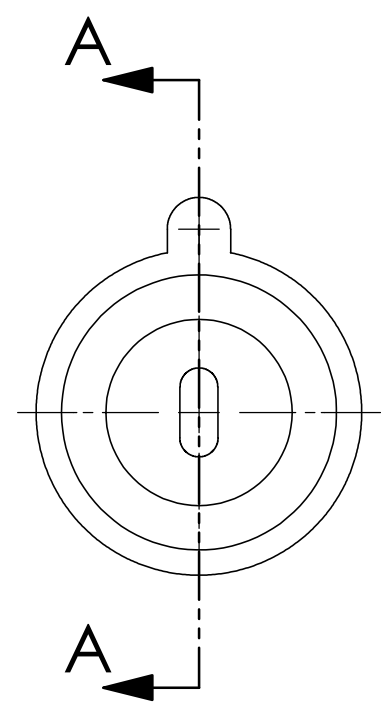


8 7 6 5 4 3 2 1

D
C
B
A



VOLUME: .47in³

8 7 6 5 4 3 2 1

UNLESS OTHERWISE SPECIFIED:	NAME	DATE
DIMENSIONS ARE IN INCHES TOLERANCES: PER RMA CLASS A3 "COMMERCIAL"	DRAWN MAD	12/05/08
INTERPRET GEOMETRIC TOLERANCING PER:	CHECKED	
MATERIAL	ENG APPR.	
F65024	MFG APPR.	
DO NOT SCALE DRAWING	PROPRIETARY AND CONFIDENTIAL THE INFORMATION CONTAINED IN THIS DRAWING IS THE SOLE PROPERTY OF LAVELLE INDUSTRIES, INC. ANY REPRODUCTION IN PART OR AS A WHOLE WITHOUT THE WRITTEN PERMISSION OF LAVELLE INDUSTRIES, INC. IS PROHIBITED.	

Lavelle Industries, Inc.		
TITLE: CAPACITOR BOOT		
SIZE B	DWG. NO. M8177	REV
SCALE: 1:1	WEIGHT:	SHEET 1 OF 1

FILE PATH - N:\CAD\PARTS\STOCK\SynTex\M8177\M8177.siddrw