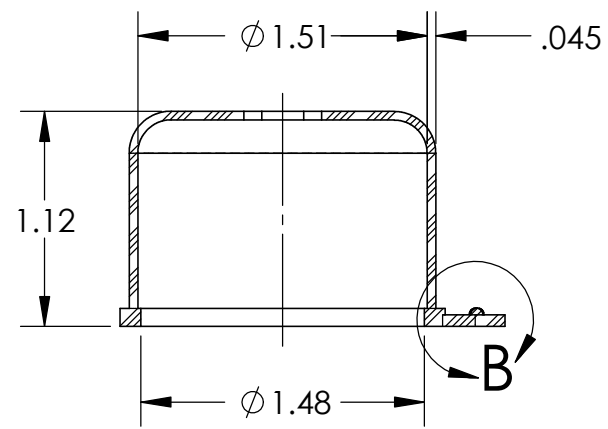
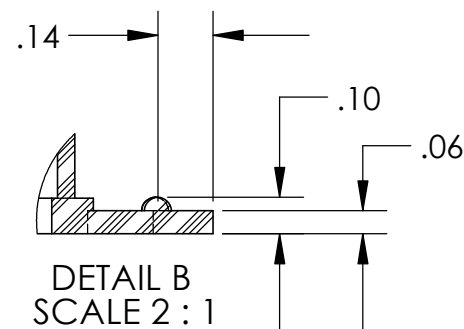
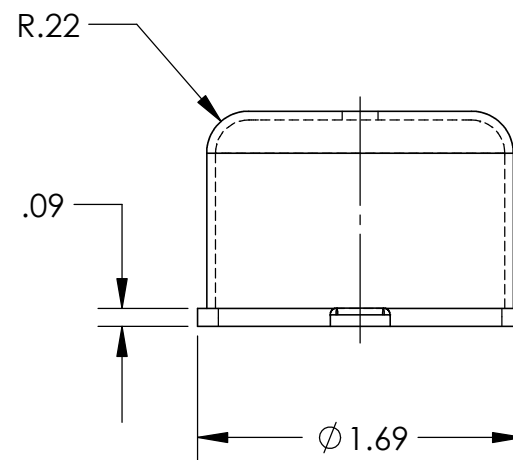


VOLUME: .34 C.I.



SECTION A-A



DETAIL B
SCALE 2 : 1

UNLESS OTHERWISE SPECIFIED:		NAME	DATE	Lavelle Industries, Inc.			
DIMENSIONS ARE IN INCHES		DRAWN	MAD			08/05/13	
TOLERANCES:		CHECKED					
FRACTIONAL: $\pm 1/64"$		ENG APPR.					
ANGULAR: $\pm 0.5^\circ$		MFG APPR.			TITLE:		
TWO PLACE DECIMAL: $\pm .02$		PROPRIETARY AND CONFIDENTIAL THE INFORMATION CONTAINED IN THIS DRAWING IS THE SOLE PROPERTY OF LAVELLE INDUSTRIES, INC. ANY REPRODUCTION IN PART OR AS A WHOLE WITHOUT THE WRITTEN PERMISSION OF LAVELLE INDUSTRIES, INC. IS PROHIBITED.			SIZE B	DWG. NO. M8121	REV
THREE PLACE DECIMAL: $\pm .005$					SCALE: 1:1	WEIGHT:	SHEET 1 OF 1
INTERPRET GEOMETRIC TOLERANCING PER:							
MATERIAL							
F65020							
DO NOT SCALE DRAWING							