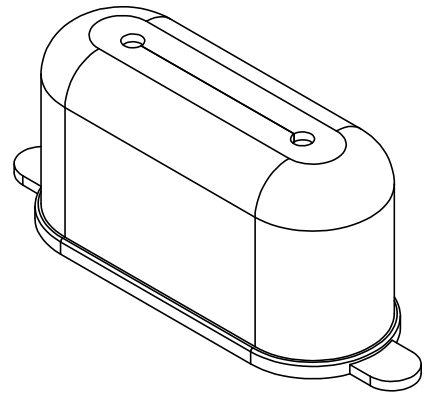
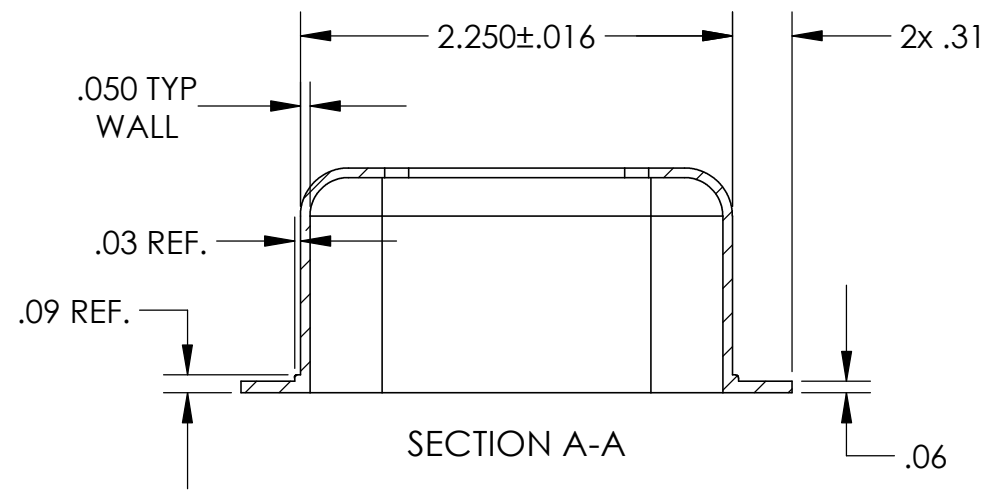
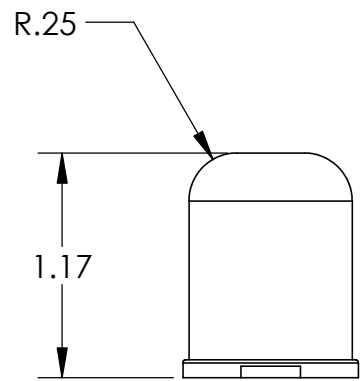
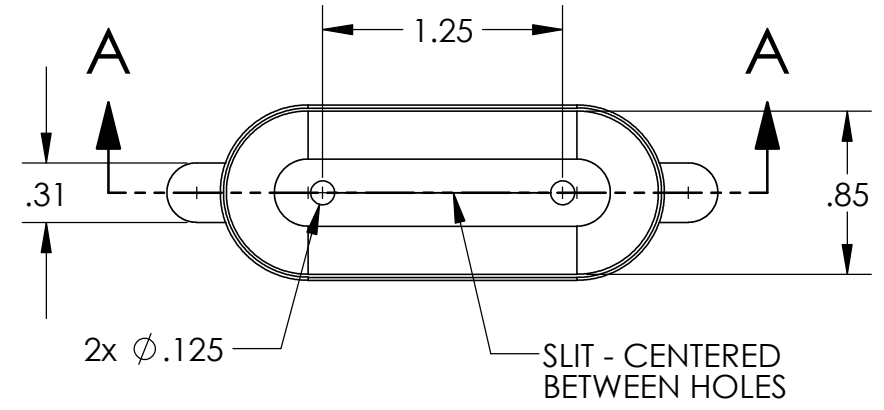


8 7 6 5 4 3 2 1

REVISIONS				
ECN	REV.	DESCRIPTION	DATE	APPROVED



VOLUME: .38 C.I.



UNLESS OTHERWISE SPECIFIED:		NAME	DATE	Lavelle Industries, Inc. TITLE: <h1>CAPACITOR BOOT</h1>
DIMENSIONS ARE IN INCHES TOLERANCES:		DRAWN	MAD 06/11/15	
±.01		CHECKED		
		ENG APPR.		
INTERPRET GEOMETRIC TOLERANCING PER:		MFG APPR.		
MATERIAL		PROPRIETARY AND CONFIDENTIAL THE INFORMATION CONTAINED IN THIS DRAWING IS THE SOLE PROPERTY OF LAVELLE INDUSTRIES, INC. ANY REPRODUCTION IN PART OR AS A WHOLE WITHOUT THE WRITTEN PERMISSION OF LAVELLE INDUSTRIES, INC. IS PROHIBITED.		
F65020		SIZE	DWG. NO.	REV
DO NOT SCALE DRAWING		B	M8098	
		SCALE: 1:1	WEIGHT:	SHEET 1 OF 1

8 7 6 5 4 3 2 1

FILE PATH - N:\CAD\PARTS\STOCK\Syntex\M8098\M8098.siddrw