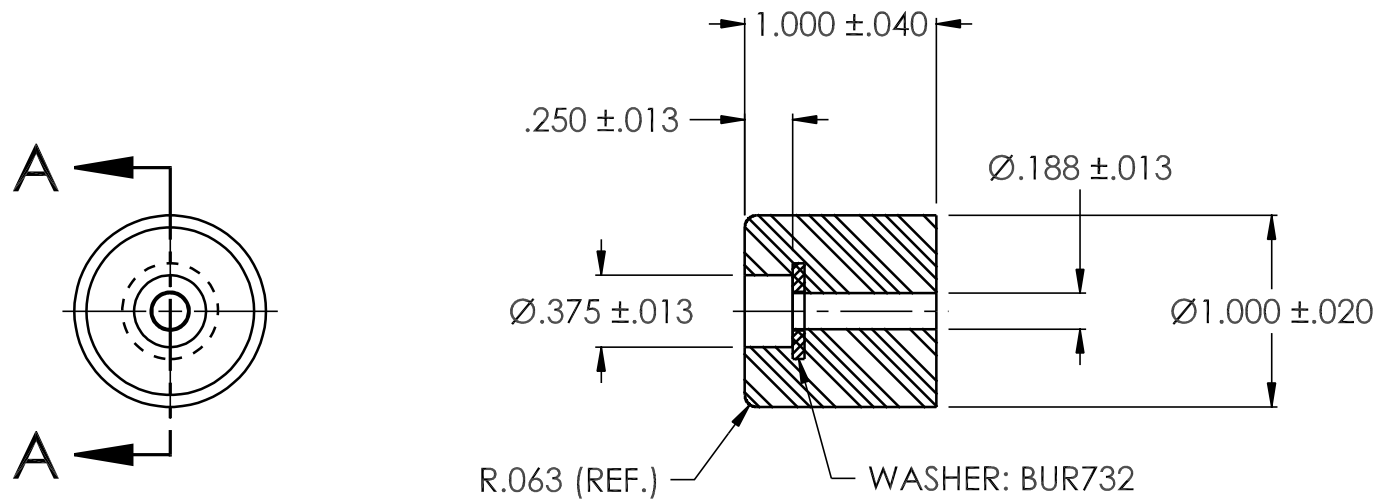
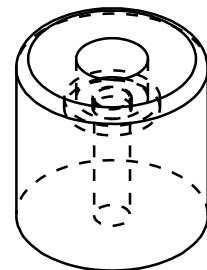


| REVISION | | | | |
|----------|-----|-------------------------------------|----------|------|
| ECN | REV | DESCRIPTION | DATE | APPR |
| 6969 | 3 | WASHER WAS BUR734 / Ø.188 WAS Ø.156 | 06/09/15 | |



SECTION **A-A**
SCALE 1:1



VOLUME: .73 C.I.

| | | | | | | |
|---|---|------|------|---------------------------------|--------------|---------------|
| UNLESS OTHERWISE SPECIFIED DIMENSIONS ARE IN INCHES TOLERANCES: | DRAWN | NAME | DATE | Lavelle Industries, Inc. | | |
| | CHECKED | MAD | | | | TITLE |
| | ENG APPR | | | | | RECESS BUMPER |
| | MFG APPR | | | | | |
| INTERPRET GEOMETRIC TOLERANCING PER: | PROPRIETARY AND CONFIDENTIAL | | | SIZE | DWG. NO. | REV |
| MATERIAL | THE INFORMATION CONTAINED IN THIS DRAWING IS THE SOLE PROPERTY OF LAVELLE INDUSTRIES, INC. ANY REPRODUCTION IN PART OR AS A WHOLE WITHOUT THE WRITTEN PERMISSION OF LAVELLE INDUSTRIES, INC. IS PROHIBITED. | | | A | 781RW | 3 |
| F57006 | | | | SCALE: 1.00 | WEIGHT: | SHEET |
| DO NOT SCALE DRAWING | | | | | | |