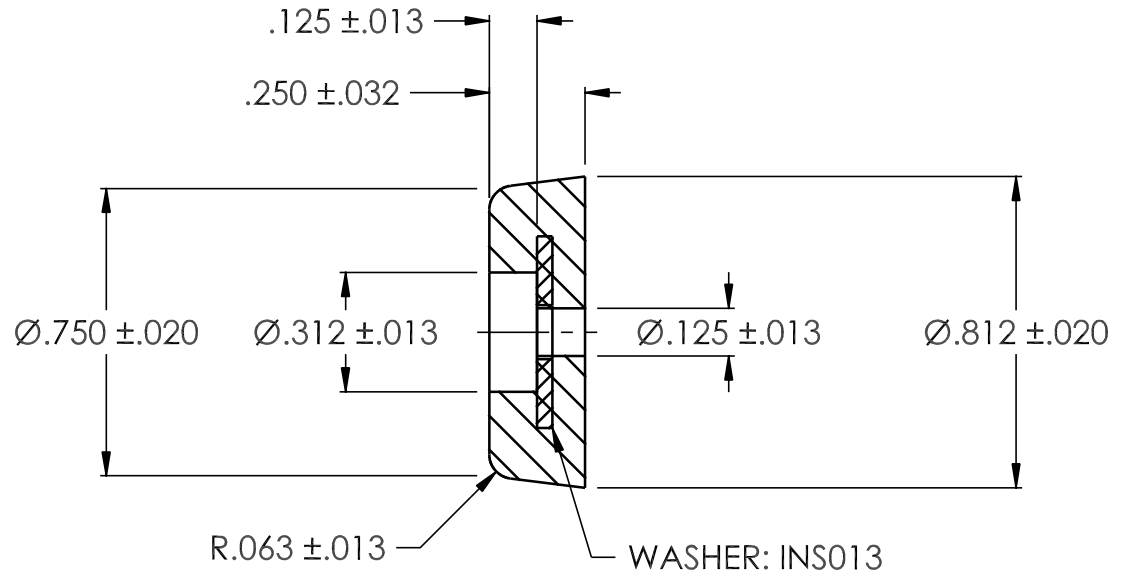
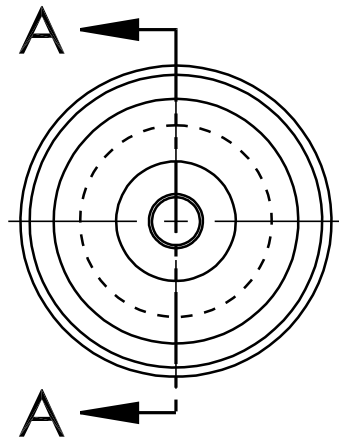


SCALE 1:1  
VOLUME: .11 C.I.



SECTION A-A  
SCALE 2:1

|  |  |   |              |                                 |              |                               |
|--|--|---|--------------|---------------------------------|--------------|-------------------------------|
| UNLESS OTHERWISE SPECIFIED   |  | NAME  | DATE         | <b>Lavelle Industries, Inc.</b> |              |                               |
| DIMENSIONS ARE IN INCHES<br>TOLERANCES:<br>FRACTION ±1/64<br>ANGULAR: ±0.5°<br>TWO PLACE DECIMAL: ±.01<br>THREE PLACE DECIMAL: ±.005 |  | DRAWN   | MAD 03/20/96 |                                 |              | TITLE<br><b>RECESS BUMPER</b> |
| INTERPRET GEOMETRIC TOLERANCING PER:   |  | CHECKED   |              |                                 |              |                               |
| MATERIAL<br><b>F57006</b>  |  | ENG APPR  |              | SIZE                            | DWG. NO.     |                               |
| DO NOT SCALE DRAWING   |  | PROPRIETARY AND CONFIDENTIAL<br>THE INFORMATION CONTAINED IN THIS DRAWING IS THE SOLE PROPERTY OF LAVELLE INDUSTRIES, INC. ANY REPRODUCTION IN PART OR AS A WHOLE WITHOUT THE WRITTEN PERMISSION OF LAVELLE INDUSTRIES, INC. IS PROHIBITED. |              | <b>A</b>                        | <b>771RW</b> | <b>3</b>                      |
|  |  |   |              | SCALE: 2.000                    | WEIGHT:      | SHEET OF                      |

| REVISION |     |                                  |          |      |
|----------|-----|----------------------------------|----------|------|
| ECN      | REV | DESCRIPTION                      | DATE     | APPR |
|          | 2   | REVISED TOL. & REDRAWN TO CADKEY | 06/23/98 |      |
| 566      | 3   | WASHER WAS BUR748                | 02/18/03 |      |