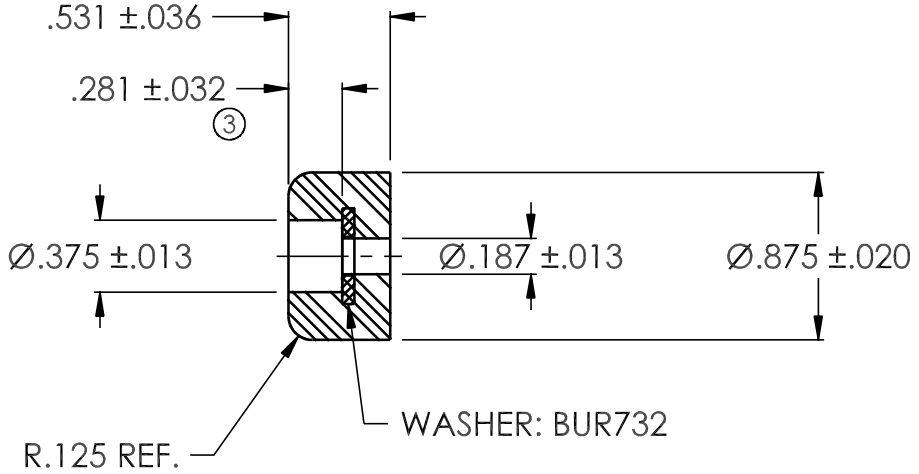
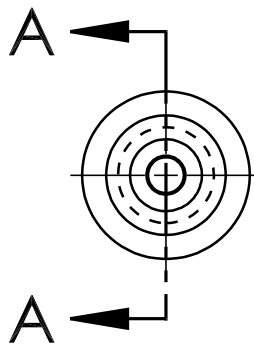
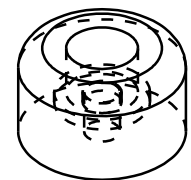


REVISION				
ECN	REV	DESCRIPTION	DATE	APPR
	2	REDRAWN TO CADKEY	03/13/98	
	3	±.032 WAS ±.013	11/19/98	



SECTION **A-A**
SCALE 1:1



VOLUME: .27 C.I.

UNLESS OTHERWISE SPECIFIED DIMENSIONS ARE IN INCHES TOLERANCES: FRACTION ±1/64 ANGULAR: ±0.5° TWO PLACE DECIMAL: ±.01 THREE PLACE DECIMAL: ±.005 INTERPRET GEOMETRIC TOLERANCING PER: MATERIAL F57006 DO NOT SCALE DRAWING	NAME	DATE	Lavelle Industries, Inc. TITLE RECESS BUMPER SIZE DWG. NO. REV A 116RW 3 SCALE: 1.000 WEIGHT: SHEET OF	
	DRAWN	MAD 03/19/96		
	CHECKED			
	ENG APPR			
	MFG APPR		PROPRIETARY AND CONFIDENTIAL THE INFORMATION CONTAINED IN THIS DRAWING IS THE SOLE PROPERTY OF LAVELLE INDUSTRIES, INC. ANY REPRODUCTION IN PART OR AS A WHOLE WITHOUT THE WRITTEN PERMISSION OF LAVELLE INDUSTRIES, INC. IS PROHIBITED.	