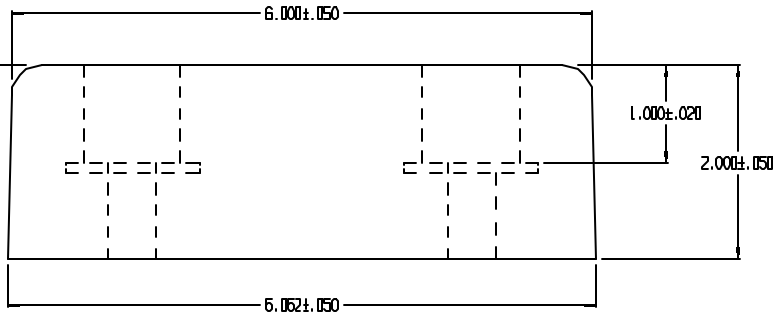
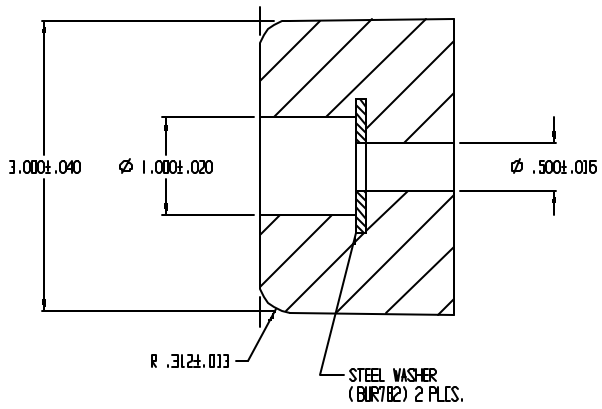
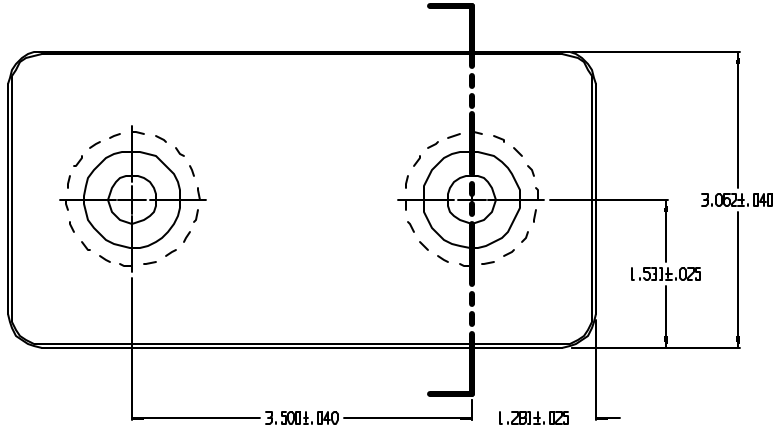


| REVISIONS |      |     |                   |          |          |
|-----------|------|-----|-------------------|----------|----------|
| ECN NO.   | ZONE | BY  | DESCRIPTION       | DATE     | APPROVED |
| 2         |      | MAD | REDRAWN TO CADKEY | 10/17/97 |          |



UNLESS OTHERWISE SPECIFIED  
DIMENSIONS ARE IN INCHES  
TOLERANCES ARE  
DECIMALS .010 .020 .030 .040 .050  
WH ANGLAR



LAVELLE IND., INC.  
665 McHENRY ST. BURLINGTON, WISC. 53105  
Ph. 414/763-2434 Fax 414/763-5607

TITLE TRUCK BUMPER

MATERIAL F36003 SHEET 1 OF 1

|          |        |
|----------|--------|
| DRAWN    | DATE   |
| M A DEAN | 1/6/93 |
| CHECK    | DATE   |
| DESIGN   | DATE   |

SIZE C SCALE 1X PART NO. TB1 REV. 2

FILE g:\cadkey\parts\stock\bumpers\tbl.prt