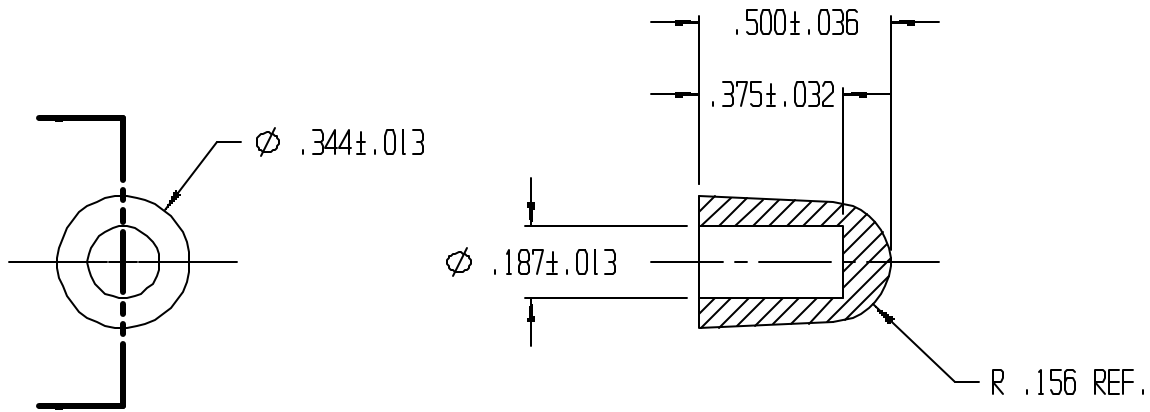


REVISIONS					
REV.	ZONE	BY	DESCRIPTION	DATE	APPROVED
3		MAD	REDRAWN TO CADKEY	10/19/99	



UNLESS OTHERWISE SPECIFIED
DIMENSIONS ARE IN INCHES
TOLERANCES ARE
DECIMALS .MM ANGULAR



LAVELLE IND., INC.
665 McHENRY St. BURLINGTON, WISC. 53105
Ph. 414/763-2434 Fax 414/763-5807

TITLE TIP

MATERIAL F56010 SHEET 1 OF 1

DRAWN M A DEAN DATE 11/4/92

SIZE A SCALE 2X PART NO. T6 REV. 3

CHECK DATE

DESIGN DATE

FILE PATH g:\cadkey\parts\stock\tips\T5.prt