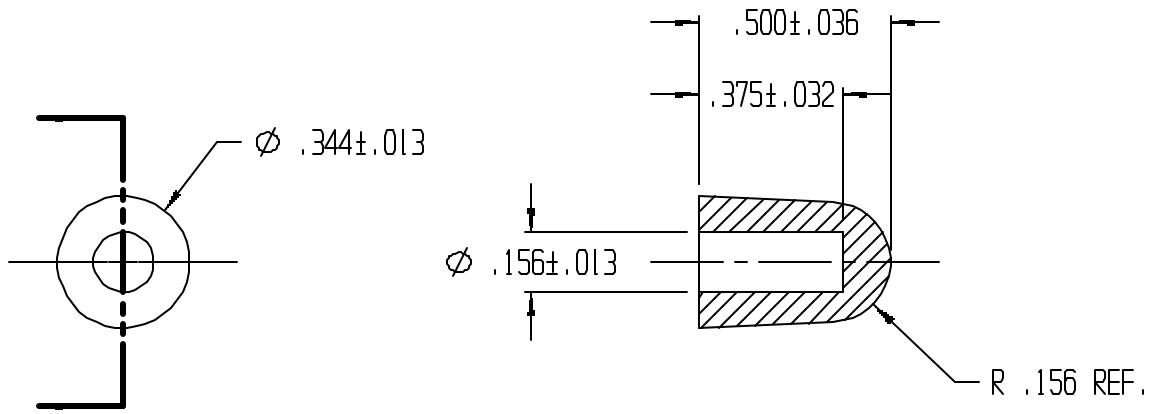


REVISIONS					
REV.	ZONE	BY	DESCRIPTION	DATE	APPROVED
3		MAD	REDRAWN TO CADKEY	9/27/99	



UNLESS OTHERWISE SPECIFIED DIMENSIONS ARE IN INCHES		LAVELLE		LAVELLE IND., INC.	
TOLERANCES ARE DECIMALS MM ANGULAR		665 McHENRY St.		BURLINGTON, WISC. 53105	
		Ph. 414/763-2434		Fax 414/763-5807	
DRAW M A DEAN		DATE 11/4/92		TITLE TIP	
CHECK		DATE		MATERIAL F56010	
DESIGN		DATE		SHEET OF 1 1	
		SIZE A		SCALE 2X	
		PART NO. T5		REV. 3	
		FILE PATH g:\cadkey\parts\stock\tips\T5.prt			