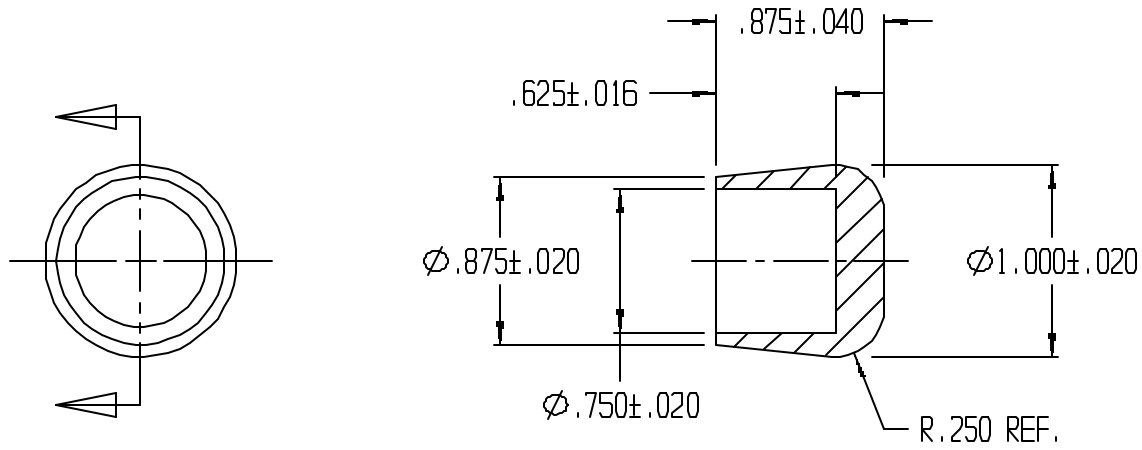


REVISIONS					
ECN	REV.	BY	DESCRIPTION	DATE	APPROVED
	4	MAD	REDRAWN TO CADKEY	09/25/01	



UNLESS OTHERWISE SPECIFIED
DIMENSIONS ARE IN INCHES
TOLERANCES ARE
DECIMALS .010 ANGULAR .010



LAVELLE IND., INC.
665 McHENRY St. BURLINGTON, WISC. 53105

TITLE TIP

MATERIAL F56010 SHEET 1 OF 1

DRAWN M A DEAN DATE 11/3/92

SIZE A SCALE 1x PART NO. T2428 REV. 4

CHECK DATE

DESIGN DATE

FILE PATH g:\cadkey\parts\stock\tips\T2428.prt