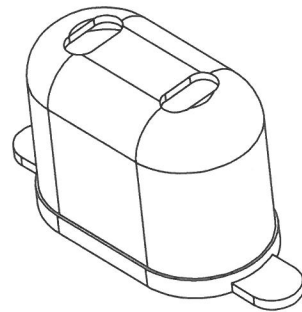
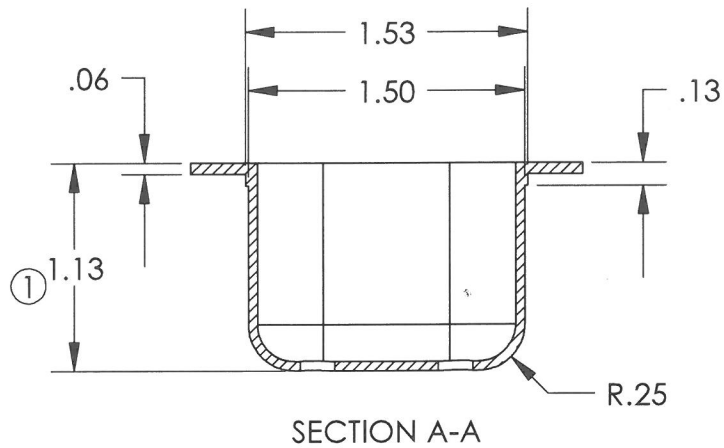
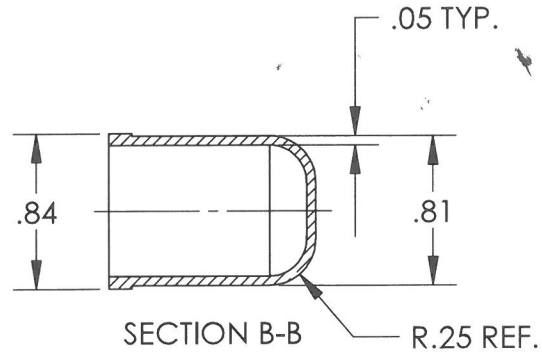
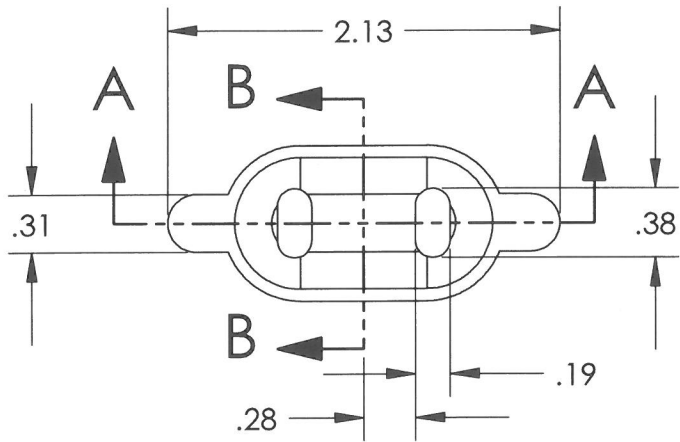


REVISIONS				
ECN	REV.	DESCRIPTION	DATE	APPROVED
9004	1	ADDED MISSING 1.13 DIM	3/24/2017	



VOLUME: .25in³

UNLESS OTHERWISE SPECIFIED:		NAME	DATE	Lavelle Industries, Inc.	
DIMENSIONS ARE IN INCHES TOLERANCES: RMA CLASS A3 COMMERCIAL		DRAWN MAD	12/04/09		
INTERPRET GEOMETRIC TOLERANCING PER:		PROPRIETARY AND CONFIDENTIAL		SIZE DWG. NO. REV	
MATERIAL F65024		THE INFORMATION CONTAINED IN THIS DRAWING IS THE SOLE PROPERTY OF LAVELLE INDUSTRIES, INC. ANY REPRODUCTION IN PART OR AS A WHOLE WITHOUT THE WRITTEN PERMISSION OF LAVELLE INDUSTRIES, INC. IS PROHIBITED.		A M8067 1	
DO NOT SCALE DRAWING				SCALE: 1:1	WEIGHT: SHEET 1 OF 1