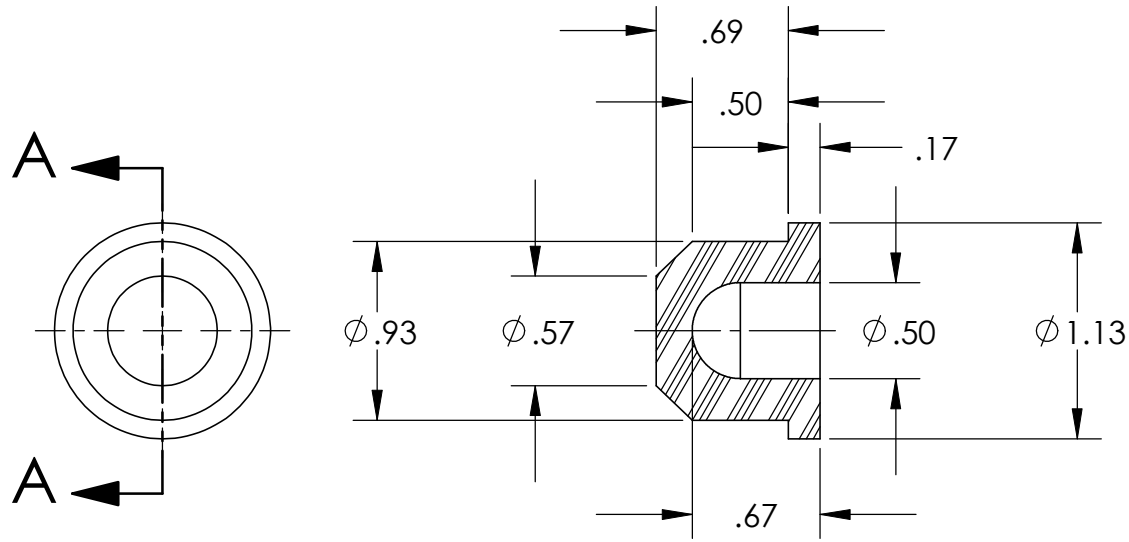
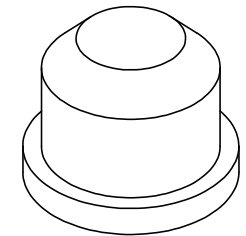


REVISIONS				
ECN	REV.	DESCRIPTION	DATE	APPROVED
3484	1	MATERIAL WAS F36003	6/4/2009	



SECTION A-A



VOLUME: .48in<sup>3</sup>

UNLESS OTHERWISE SPECIFIED:	NAME	DATE	<b>Lavelle Industries, Inc.</b>		
DIMENSIONS ARE IN INCHES TOLERANCES:	DRAWN	MAD	12/05/08	TITLE:  <b>PLUG</b>	
RMA CLASS A3 'COMMERCIAL'	CHECKED				
INTERPRET GEOMETRIC TOLERANCING PER:	ENG APPR.				
MATERIAL	<b>PROPRIETARY AND CONFIDENTIAL</b>		SIZE	DWG. NO.	REV
<b>F65001</b> ①	THE INFORMATION CONTAINED IN THIS DRAWING IS THE SOLE PROPERTY OF LAVELLE INDUSTRIES, INC. ANY REPRODUCTION IN PART OR AS A WHOLE WITHOUT THE WRITTEN PERMISSION OF LAVELLE INDUSTRIES, INC. IS PROHIBITED.		<b>A</b>	<b>M8056</b>	<b>1</b>
DO NOT SCALE DRAWING			SCALE: 1:1	WEIGHT:	SHEET 1 OF 1