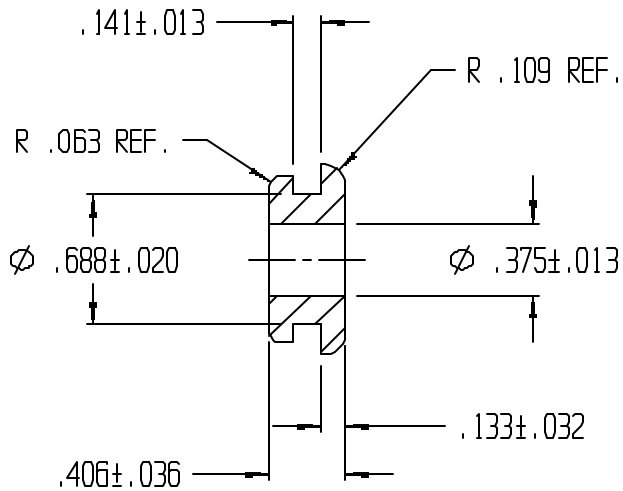
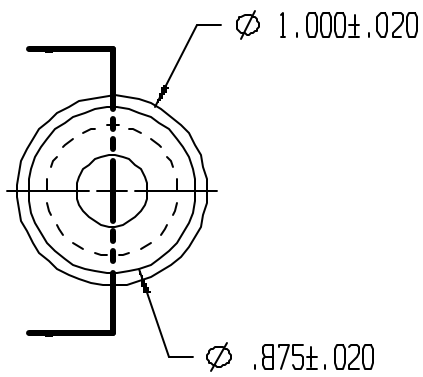



REVISIONS					
REV.	ZONE	BY	DESCRIPTION	DATE	APPROVED
3		MAD	REVISED & REDRAWN TO CADKEY	3/11/98	



UNLESS OTHERWISE SPECIFIED DIMENSIONS ARE IN INCHES		 <b>LAVELLE IND., INC.</b> 665 MCHENRY ST. BURLINGTON, WISC. 53105 Ph. 414/763-2434 Fax 414/763-5607	
TOLERANCES ARE DECIMALS .010 .015 .030 .050 .100 .150 .300 .500 .750 1.000 MM .1 .15 .3 .5 1 1.5 3 5 7.5 10 ANGULAR .5 .75 1 1.5 2 3 4 5 6 8 10		TITLE <b>GROMMET</b>	
DRAWN M A DEAN		DATE 12/8/92	MATERIAL F55004
CHECK		DATE	SCALE 1X
DESIGN		DATE	PART NO. 945
		FILE PATH g:\codkey\parts\stock\grommets\945.prt	SHEET OF 1 1
			REV. 3