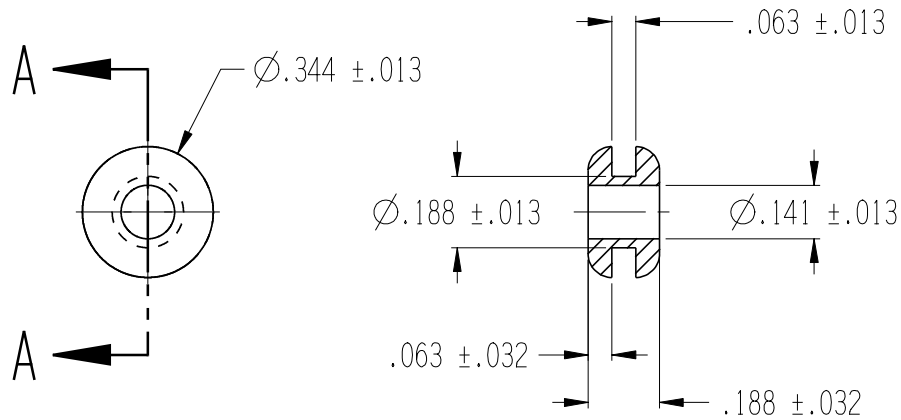


REVISION				
ECN	REV	DESCRIPTION	DATE	APPR
	3	REDRAWN TO CADKEY	10/31/97	
	4	CORRECTED SCALE AND DIMENSIONS	06/03/02	



SECTION A-A  
SCALE 2:1



SCALE 1:1  
VOLUME: .009in^3

UNLESS OTHERWISE SPECIFIED	NAME	DATE	<b>Lavelle Industries, Inc.</b>			
DIMENSIONS ARE IN INCHES TOLERANCES: FRACTION ±1/64 ANGULAR: ±0.5° TWO PLACE DECIMAL: ±.01 THREE PLACE DECIMAL: ±.005	DRAWN	MAD 11/09/92			TITLE <b>GROMMET</b>	
	CHECKED					
	ENG APPR					
	MFG APPR					
INTERPRET GEOMETRIC TOLERANCING PER:	PROPRIETARY AND CONFIDENTIAL		SIZE	DWG. NO.	REV	
MATERIAL	THE INFORMATION CONTAINED IN THIS DRAWING IS THE SOLE PROPERTY OF LAVELLE INDUSTRIES, INC. ANY REPRODUCTION IN PART OR AS A WHOLE WITHOUT THE WRITTEN PERMISSION OF LAVELLE INDUSTRIES, INC. IS PROHIBITED.		<b>A</b>	<b>90121</b>	<b>4</b>	
F55004			SCALE: 2.000	WEIGHT:	SHEET 1 OF 1	
DO NOT SCALE DRAWING						