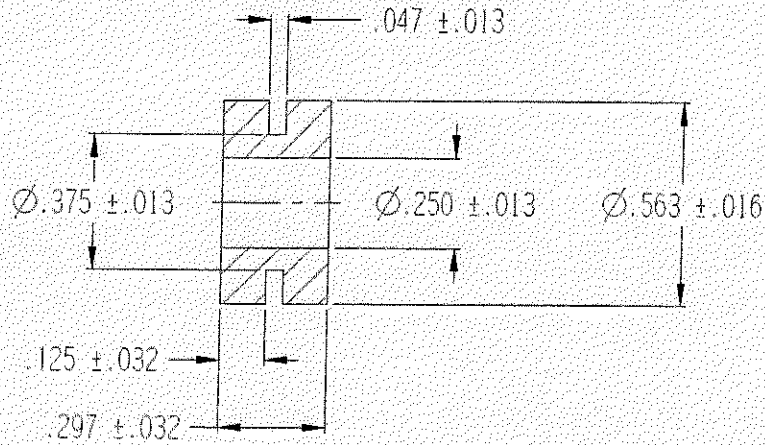
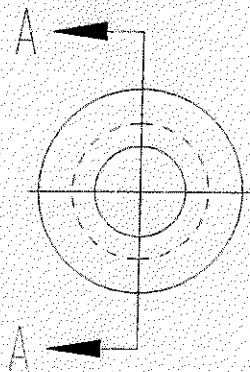
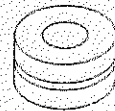


REVISION				
EDN	REV	DESCRIPTION	DATE	APPR
	3	REDRAWN TO CADKEY	10/31/97	



SECTION A-A  
SCALE 2:1



SCALE 1:1  
VOLUME: .053in<sup>3</sup>

UNLESS OTHERWISE SPECIFIED:	NAME	DATE	<b>Lavelle Industries, Inc.</b>	
DIMENSIONS ARE IN INCHES TOLERANCES: FRACTION ±1/64 ANGULAR: ±0.5° TWO PLACE DECIMAL: ±.01 THREE PLACE DECIMAL: ±.005	DRAWN	MAD	11/11/92	TITLE <b>GROMMET</b>
	CHECKED			
	ENG APPR			
	MFG APPR			
INTERPRET GEOMETRIC TOLERANCING PER:	PROPRIETARY AND CONFIDENTIAL			SIZE DWG. NO. REV <b>A 8701 3</b>
MATERIAL	THE INFORMATION CONTAINED IN THIS DRAWING IS THE SOLE PROPERTY OF LAVELLE INDUSTRIES, INC. ANY REPRODUCTION IN PART OR AS A WHOLE WITHOUT THE WRITTEN PERMISSION OF LAVELLE INDUSTRIES, INC. IS PROHIBITED.			
F55004				
DO NOT SCALE DRAWING	SCALE: 2.000	WEIGHT:	SHEET 1 OF 1	

FILE PATH: N:\CAD-PARTS-STOCK-GROMMETS-0701-8701.rkg