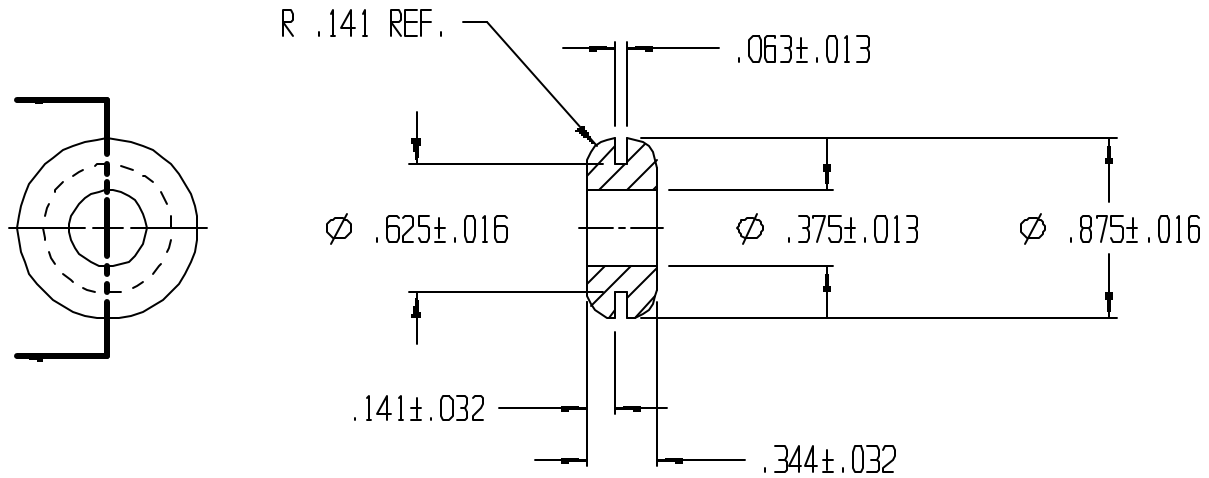


REVISIONS					
REV.	ZONE	BY	DESCRIPTION	DATE	APPROVED
3		MAD	REDRAWN TO CADKEY	10/30/97	
4		MAD	ADDED REF. TO R .141	1/22/98	



UNLESS OTHERWISE SPECIFIED DIMENSIONS ARE IN INCHES		LAVELLE		LAVELLE IND., INC.	
TOLERANCES ARE DECIMALS MM ANGULAR		665 McHENRY St.		BURLINGTON, WISC. 53105	
		Ph. 414/763-2434		Fax 414/763-5607	
		TITLE GROMMET			
		MATERIAL F55004		SHEET OF 1 1	
DRAWN M A DEAN	DATE 12/8/92	SIZE A	SCALE 1X	PART NO. 814	REV. 4
CHECK	DATE	FILE g:\cadkey\parts\stock\gromnets\814.prt			
DESIGN	DATE				