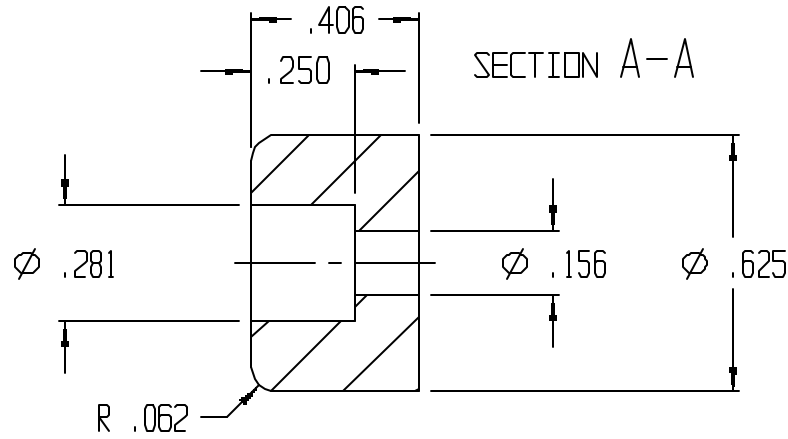
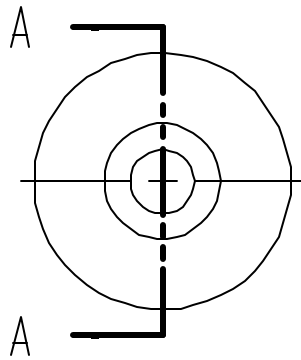


REVISIONS					
REV.	ZONE	BY	DESCRIPTION	DATE	APPROVED
2		MAD	REVISED & REDRAWN	1/10/97	
3		MAD	CLASS A4 BASIC WAS A3 COMMERCIAL	5/8/97	



- NOTES:
 ③ 1. ALL TOLERANCES PER RMA CLASS "A4" BASIC.

UNLESS OTHERWISE SPECIFIED DIMENSIONS ARE IN INCHES		LAVELLE IND., INC. 665 McHENRY St. BURLINGTON, WISC. 53105 Ph. 414/763-2434 Fax 414/763-5607	
TOLERANCES ARE DECIMALS MM ANGLAR		TITLE RECESS BUMPER	
DRAWN M A DEAN		MATERIAL F57006	
DATE 10/9/92		SHEET 1 OF 1	
CHECK	DATE	SIZE A	SCALE 2x
DESIGN	DATE	PART NO. 733R	REV. 3
FILE g:\cadkey\parts\stock\recssbpr\733r.prt			