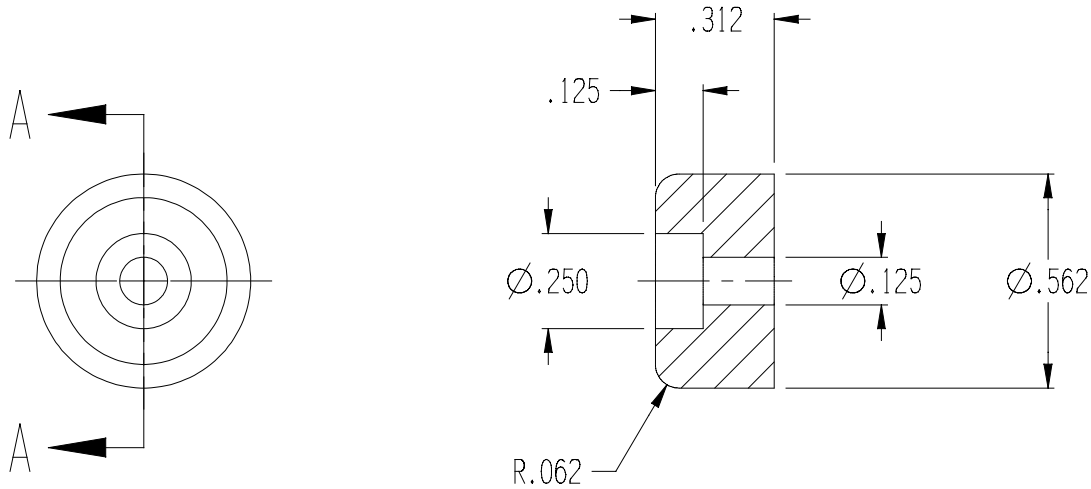
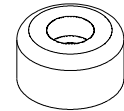


REVISION				
ECN	REV	DESCRIPTION	DATE	APPR
	2	REVISED & REDRAWN	01/10/97	



SECTION A-A
SCALE 2:1



SCALE 1:1
VOLUME: .068in^3

UNLESS OTHERWISE SPECIFIED	NAME	DATE	Lavelle Industries, Inc.
	DRAWN	MAD 10/07/92	
	CHECKED		
	ENG APPR		
DIMENSIONS ARE IN INCHES TOLERANCES: RMA CLASS A3 COMMERCIAL	MFG APPR		TITLE
	PROPRIETARY AND CONFIDENTIAL		RECESS BUMPER
INTERPRET GEOMETRIC TOLERANCING PER:	THE INFORMATION CONTAINED IN THIS DRAWING IS THE SOLE PROPERTY OF LAVELLE INDUSTRIES, INC. ANY REPRODUCTION IN PART OR AS A WHOLE WITHOUT THE WRITTEN PERMISSION OF LAVELLE INDUSTRIES, INC. IS PROHIBITED.		SIZE
MATERIAL	F57006		DWG. NO.
DO NOT SCALE DRAWING			A
			707R
			REV
			2
	SCALE: 2.0	WEIGHT:	SHEET 1 OF 1