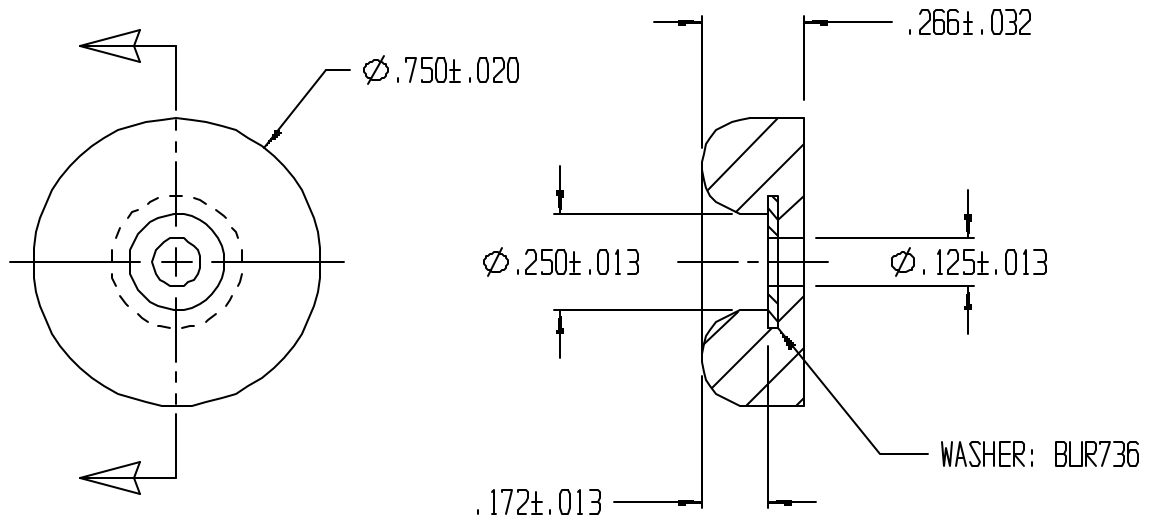



REVISIONS					
ECN	REV.	BY	DESCRIPTION	DATE	APPROVED
	2	MAD	RECRAWN TO CADKEY	06/24/02	



UNLESS OTHERWISE SPECIFIED DIMENSIONS ARE IN INCHES		TOLERANCES ARE DECIMALS MM ANGULAR		 <b>LAVELLE IND., INC.</b> 665 McHENRY St. BURLINGTON, WISC. 53105 Ph. 262/763-2434 Fax 262/763-5807	
DRAW M A DEAN		DATE 3/19/96		TITLE RECESS BUMPER	
CHECK		DATE		MATERIAL F57006	
DESIGN		DATE		SHEET OF 1 1	
				PART NO. 512RW	
				REV. 2	
				FILE PATH V:\CAD FILES\Cadkey\ parts\stock\recess bumper\512rw.prt	