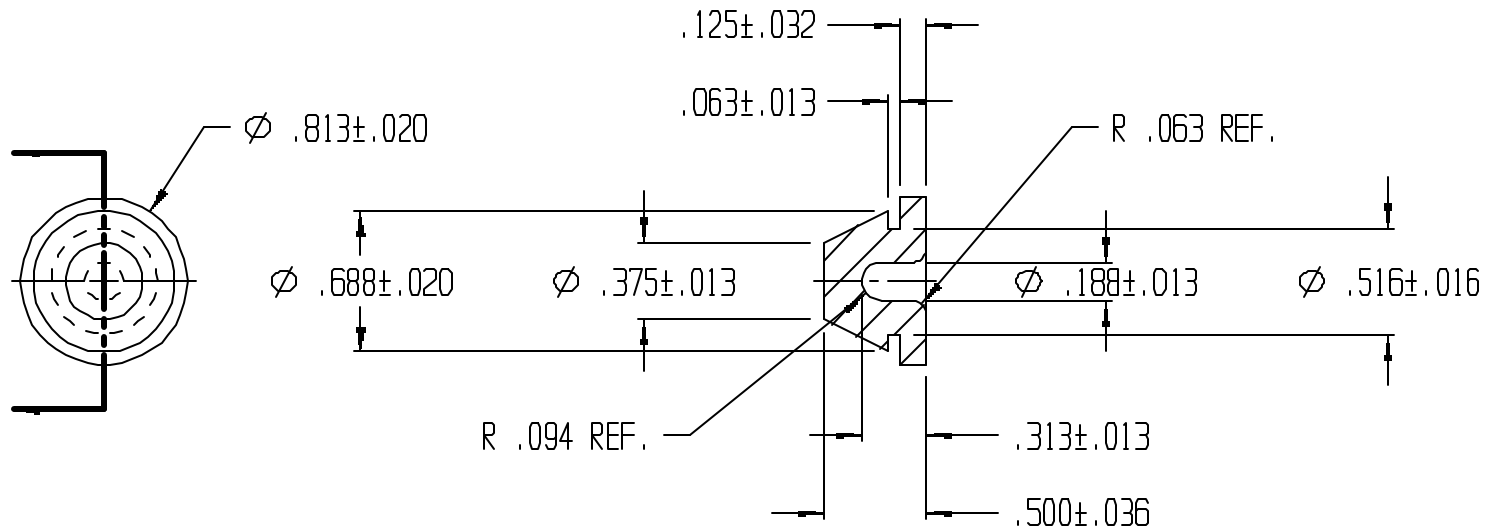


REVISIONS					
REV.	ZONE	BY	DESCRIPTION	DATE	APPROVED
3		MAD	REDRAWN TO CADKEY	11/17/97	



UNLESS OTHERWISE SPECIFIED DIMENSIONS ARE IN INCHES		LAVELLE		LAVELLE IND., INC.	
TOLERANCES ARE				665 McHENRY St. BURLINGTON, WISC. 53105	
DECIMALS	MM	ANGULAR		Ph. 414/763-2434 Fax 414/763-5607	
		TITLE PLUG BUMPER			
		MATERIAL F55004		SHEET 1	OF 1
DRAWN M A DEAN	DATE 11/3/92	SIZE A	SCALE 1X	PART NO. 33-8	REV. 3
CHECK	DATE	FILE g:\cadkey\parts\stock\plugbnp\33-8.prt			
DESIGN	DATE				