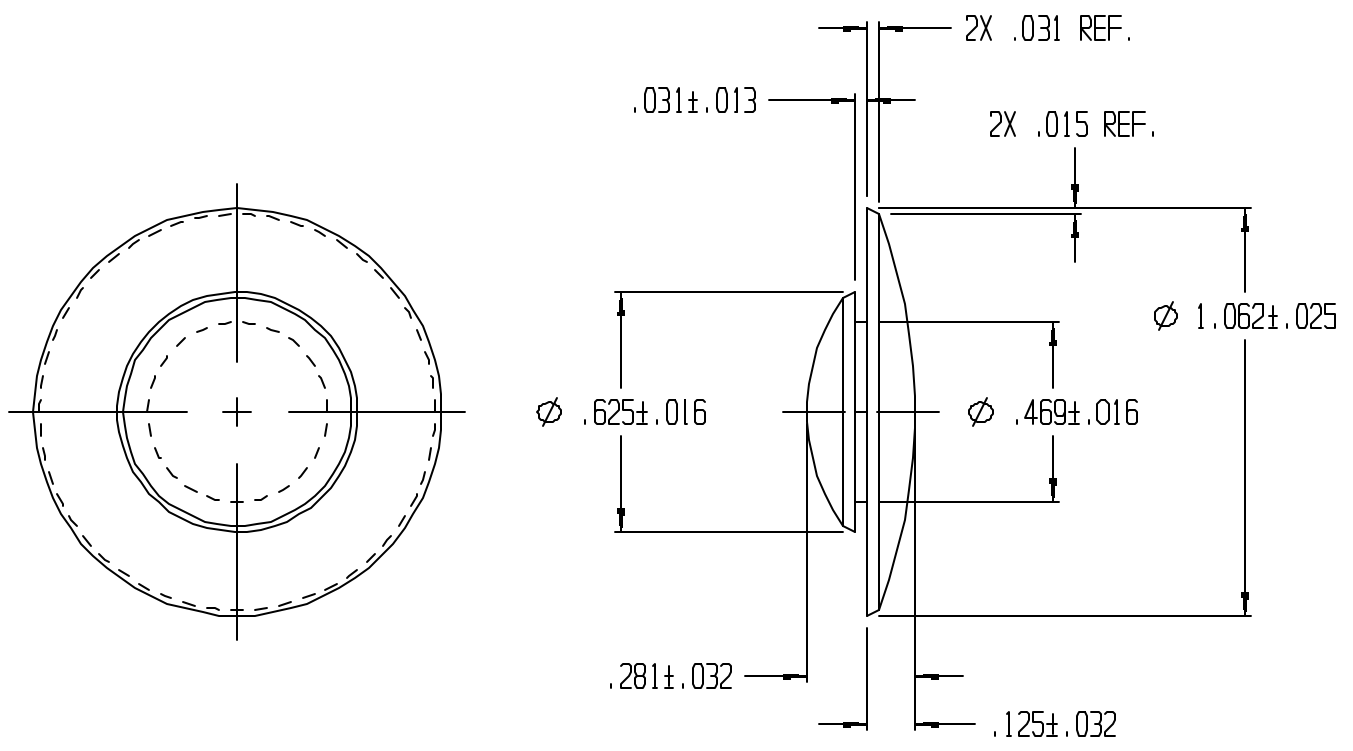



REVISIONS					
REV.	ZONE	BY	DESCRIPTION	DATE	APPROVED
3		MAD	REDRAWN TO CADKEY	10/12/98	



UNLESS OTHERWISE SPECIFIED DIMENSIONS ARE IN INCHES		TOLERANCES ARE DECIMALS MM ANGULAR		 LAVELLE IND., INC. 665 McHENRY St. BURLINGTON, WISC. 53105 Ph. 414/763-2434 Fax 414/763-5807	
DRAW M A DEAN		DATE 11/3/92		TITLE PLUG BUMPER	
CHECK		DATE		MATERIAL F55004	
DESIGN		DATE		SHEET OF 1 1	
		SIZE A		SCALE 2X	
		PART NO. 30-8		REV. 3	
		FILE PATH g:\cadkey\parts\stock\plugbnpr\30-8.prt			