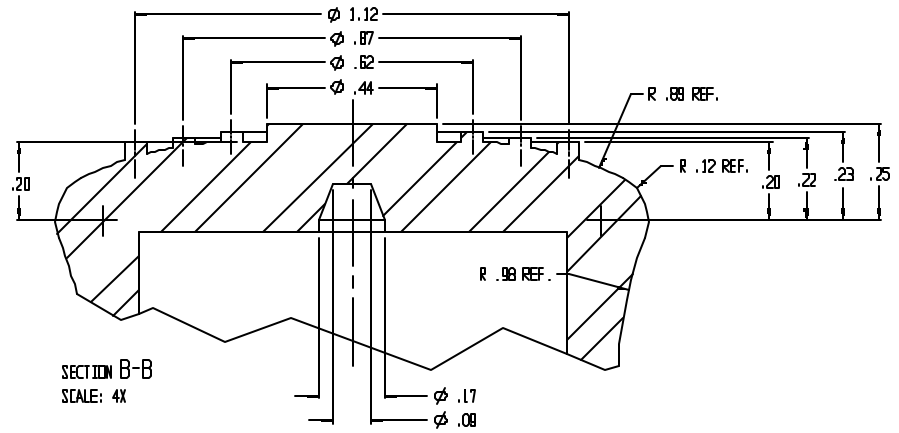
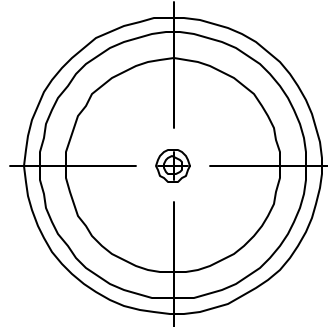
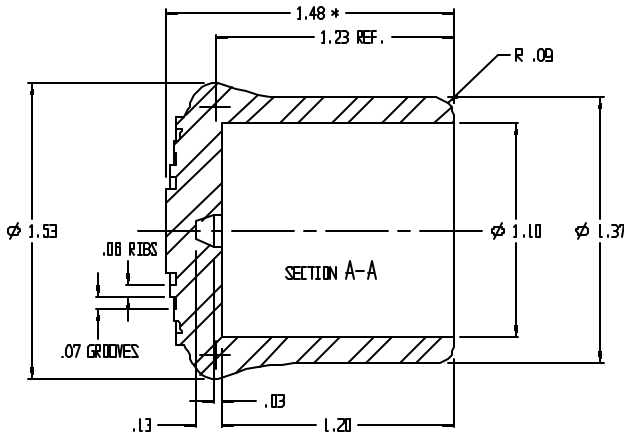
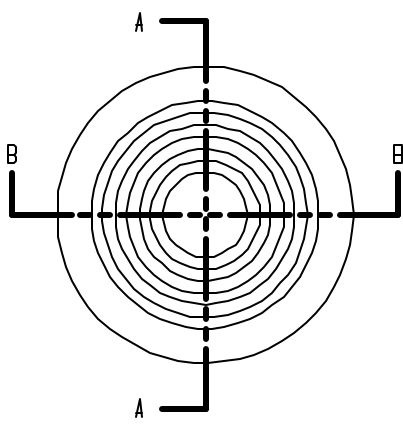


REVISIONS					
ECN NO.	ZONE	BY	DESCRIPTION	DATE	APPROVED
3		MAD	REVISED DIM'S TO TWO (2) PLCS.	5/15/97	
4		MAD	REVISED TO AGREE V/TOOL PRINT.	10/10/97	
5		MAD	REVISED TOLERANCES TO RMA 'A4' BASIC	12/10/97	



SECTION B-B
SCALE: 4X

RMA TOLERANCES: A4 BASIC				PART No.	COLOR	MAT'L	LAVELLE LVELLE IND., INC.		
SIZE (INCHES)				21B	BLACK	F56004	665 McHENRY ST. BURLINGTON, WISC. 53105		
ABOVE	INCL.	FIXED	CLOSURE	21G	GRAY	F86201	Ph. 414/763-2434 Fax 414/763-5607		
D.0	D.40	±.013	±.032	21V	WHITE	F86101	TITLE CRUTCH TIP		
D.40	D.63	.016	.036				MATERIAL LIST		
D.63	1.00	.020	.040				SHEET OF 1 1		
1.00	1.60	.025	.045				SIZE C SCALE 2X PART NO. LIST REV. 5		
1.60	2.50	.032	.050	DRAWN M A DEAN DATE 10/20/94			FILE g:\codkey\parts\stock\41ps\21ct.prt		
2.50	4.00	.040	.056	CHECK DATE					
4.00	6.30	.050	.063	DESIGN DATE					
6.30	& OVER								
	MULTIPLY BY	.008	.010						