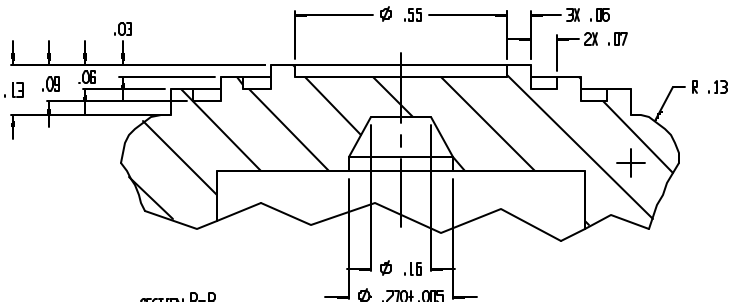
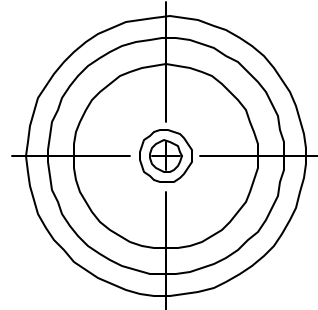
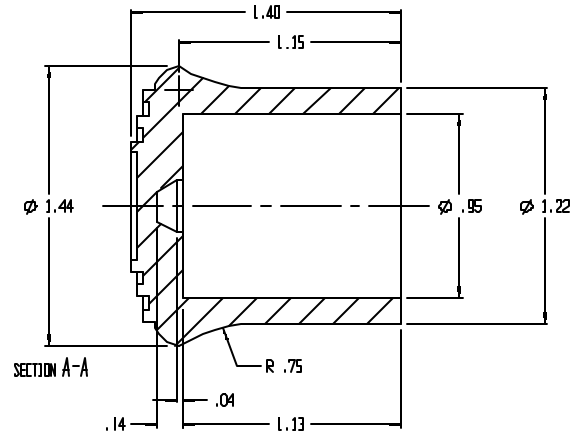
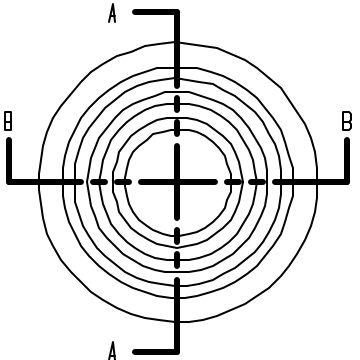


REVISIONS					
EDN NO.	ZONE	BY	DESCRIPTION	DATE	APPROVED
3		MAU	REVISED & REDRAWN TO CADKEY	12/18/97	



SECTION B-B
SCALE: 4x

RMA TOLERANCES: A4 BASIC				PART NO.	COLOR	MAT'L	LAVELLE			LAVELLE IND., INC.	
SIZE (INCHES)	ABOVE	INCL.	FIXED				CLOSURE	208	BLACK	F56004	665 McHENRY St.
D.40	D.40	±.013	±.032	20G	GRAY	F86201	TITLE CRUTCH TIP				
D.63	D.63	.016	.036	20M	WHITE	F86101					
D.63	1.00	.020	.040	DRAWN M A DEAN			DATE 5/11/93			SHEET OF 1 1	
1.00	1.60	.025	.045							CHECK	
1.60	2.50	.032	.050	DESIGN			DATE				
2.50	4.00	.040	.056							MULTIPLY BY	
4.00	6.30	.050	.063	6.30 & OVER			SIZE C				
		.008	.010								