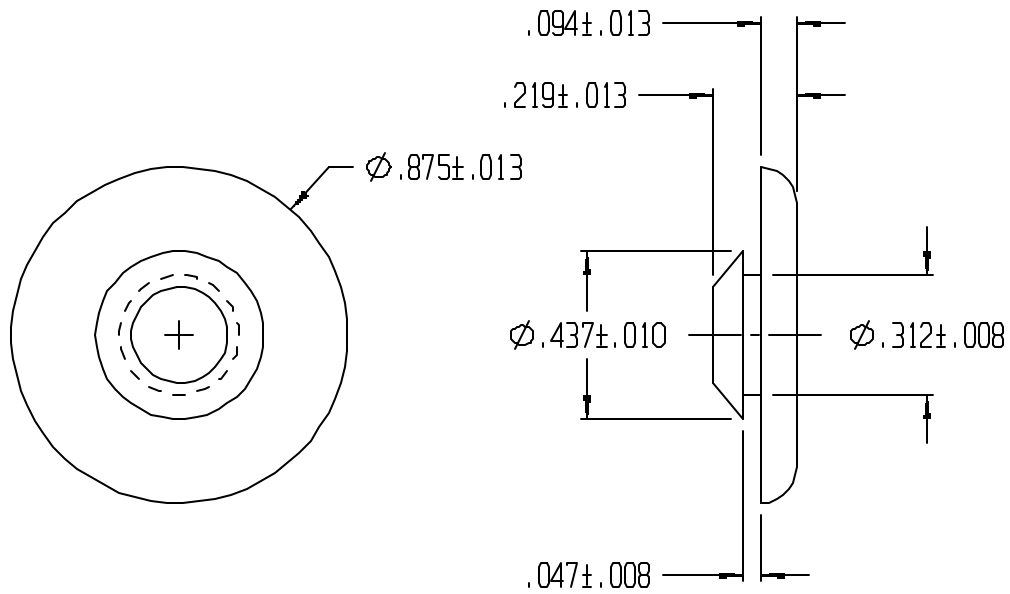


REVISIONS					
ECN	REV.	BY	DESCRIPTION	DATE	APPROVED
	3	MAD	REDRAWN TO CADKEY	02/21/02	



UNLESS OTHERWISE SPECIFIED  
DIMENSIONS ARE IN INCHES  
TOLERANCES ARE  
DECIMALS MM ANGULAR



LAVELLE IND., INC.  
665 McHENRY St. BURLINGTON, WISC. 53105  
Ph. 262/763-2434 Fax 262/763-5807

TITLE  
PLUG BUMPER

MATERIAL F55004 SHEET 1 OF 1

DRAWN M A DEAN DATE 11/03/92

SIZE A SCALE 2x PART NO. 20-28 REV. 3

CHECK DATE

DESIGN DATE

FILE PATH V:\CAD FILES\Cadkey\ parts\stock\plugbnpr\20-28.prt