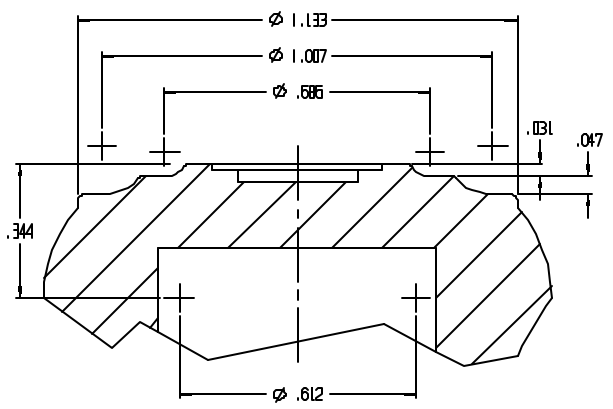
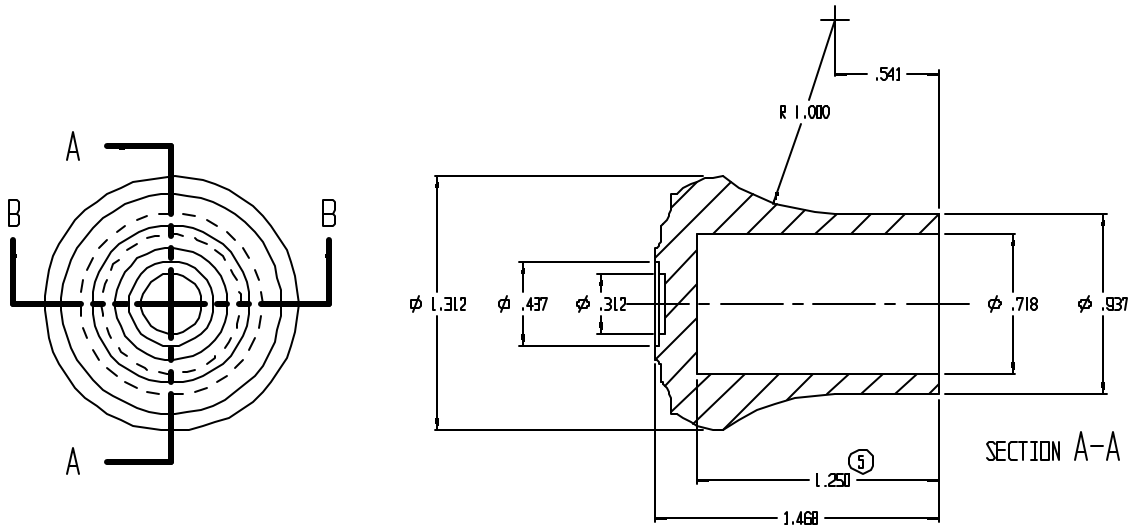
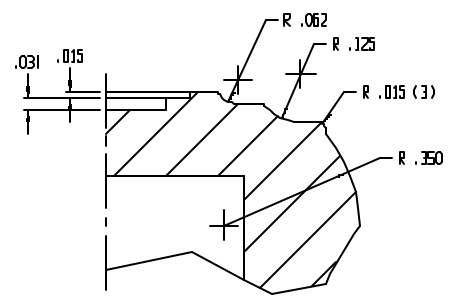


REVISIONS					
ECN NO.	ZONE	BY	DESCRIPTION	DATE	APPROVED
3		MAD	REDRAW TO CADKEY	6/2/97	
4		MAD	REVISED TOLERANCES TO 'A4' BASIC	12/22/97	
5		MAD	1.250 WAS 1.156	11/19/98	



SECTION B-B  
SCALE: 4x



RMA TOLERANCES: A4 BASIC				PART NO.	COLOR	MAT'L
SIZE (INCHES)				168	BLACK	F56010
ABOVE	INCL.	FIXED	CLOSURE	166	GRAY	F66201
D.40	D.40	±.013	±.032	16W	WHITE	F66101
D.40	D.63	.016	.036			
D.63	1.00	.020	.040			
1.00	1.60	.025	.045			
1.60	2.50	.032	.050	DRAWN	M A DEAN	DATE 11/10/92
2.50	4.00	.040	.056	CHECK		DATE
4.00	6.30	.050	.063	DESIGN		DATE
6.30	& OVER					
	MULTIPLY BY	.008	.010			

**LAVELLE** LAVELLE IND., INC.  
665 McHENRY ST. BURLINGTON, WISC. 53105  
Ph. 414/763-2434 Fax 414/763-5607

TITLE: **CRUTCH TIP**

MATERIAL: **SEE LIST** SHEET 1 OF 1

SIZE: **C** SCALE: **2x** PART NO.: **SEE LIST** REV. **5**

FILE: g:\cadkey\parts\stock\tips\16ct.prt