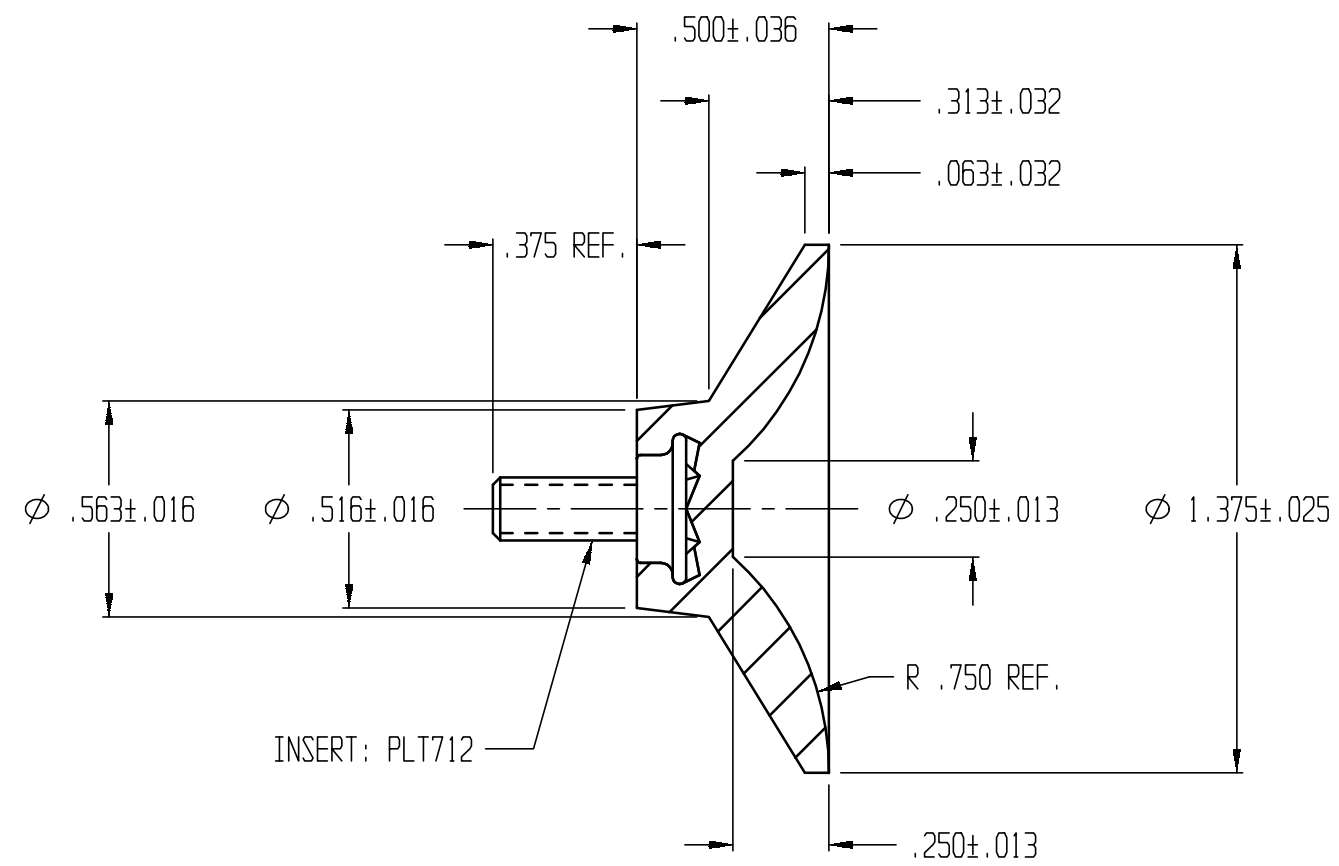
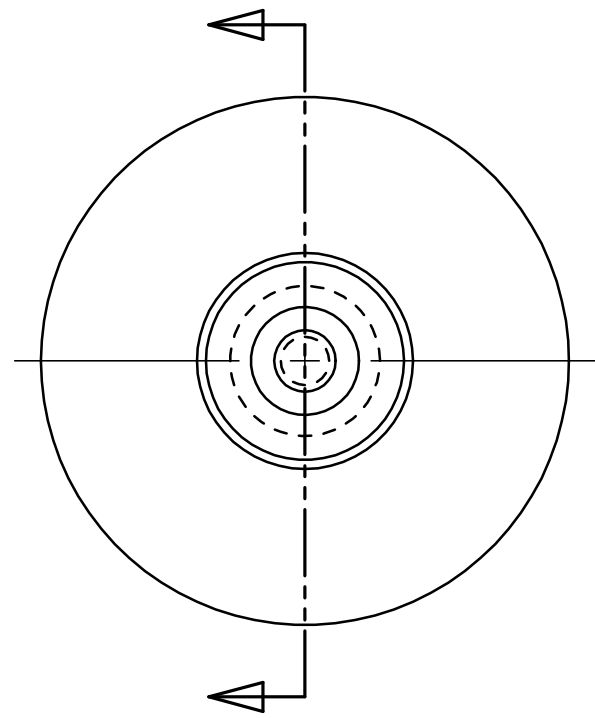


REVISIONS					
ECN	REV.	BY	DESCRIPTION	DATE	APPROVED
191	4	MAD	REDRAWN TO CADKEY	04/01/02	



UNLESS OTHERWISE SPECIFIED DIMENSIONS ARE IN INCHES		LAVELLE		LAVELLE IND., INC.	
TOLERANCES ARE DECIMALS      MM      ANGULAR		665 McHENRY St.		BURLINGTON, WISC. 53105	
		Ph. 262/763-2434		Fax 262/763-5607	
DRAWN M A DEAN		DATE 1/13/93		TITLE SUCTION CUP	
CHECK		DATE		MATERIAL F55011	
DESIGN		DATE		SHEET 1 OF 1	
		SIZE B		SCALE 2X	
		PART NO. 138MS2		REV. 4	
		FILE g:\cadkey\parts\stock\suc-cups\138MS2.prt			