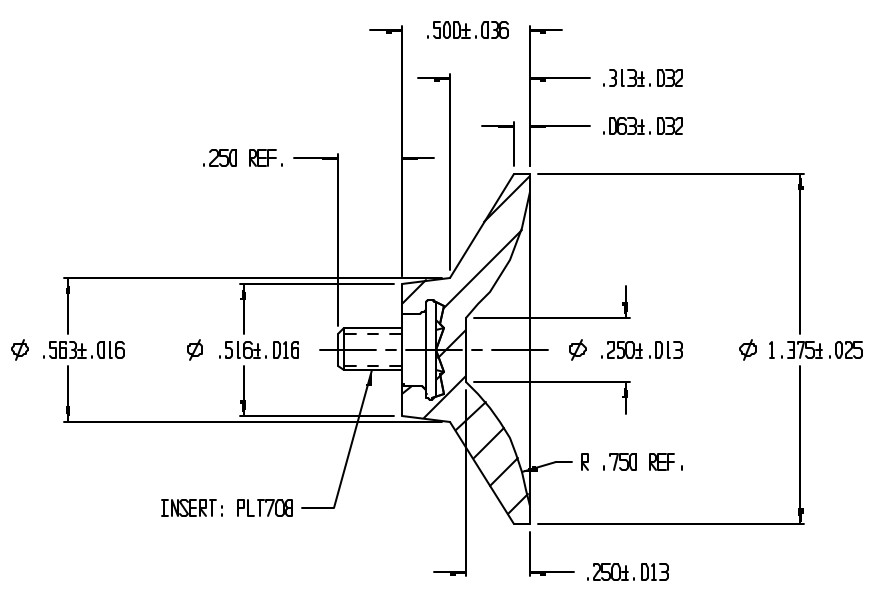
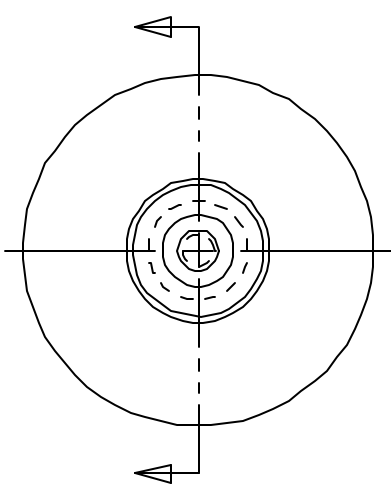


4 3 2 1

REVISIONS					
REV.	ZONE	BY	DESCRIPTION	DATE	APPROVED
4		MAD	REDRAWN TO CADKEY	11/17/97	



UNLESS OTHERWISE SPECIFIED
DIMENSIONS ARE IN INCHES
TOLERANCES ARE
DECIMALS MM ANGULAR



LAVELLE IND., INC.
665 McHENRY St. BURLINGTON, WISC. 53105
Ph. 262/763-2434 Fax 262/763-5607

TITLE
SUCTION CUP

MATERIAL
F55011 SHEET 1 OF 1

DRAWN
M A DEAN DATE
1/13/93

SIZE **B** SCALE **2X** PART NO. **138MS1** REV. **4**

CHECK DATE

DESIGN DATE

FILE
g:\cadkey\parts\stack\suc-cups\prt

4 3 4 2 1