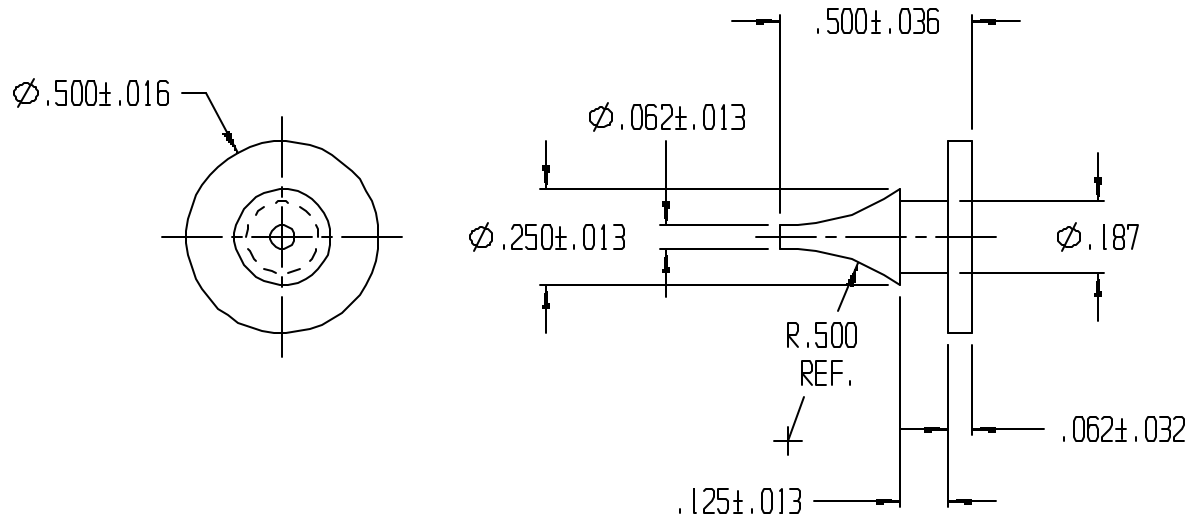


REVISIONS					
ECN	REV.	BY	DESCRIPTION	DATE	APPROVED
	3	MAD	REDRAWN TO CADKEY	12/21/01	



UNLESS OTHERWISE SPECIFIED  
DIMENSIONS ARE IN INCHES  
TOLERANCES ARE  
DECIMALS MM ANGULAR



LAVELLE IND., INC.  
665 McHENRY St. BURLINGTON, WISC. 53105  
Ph. 262/763-2434 Fax 262/763-5807

TITLE  
PLUG BUMPER

MATERIAL  
F55004

SHEET OF  
1 1

DRAWN  
M A DEAN DATE  
10/27/92

CHECK DATE

DESIGN DATE

SIZE SCALE PART NO. REV.  
A 2x 12-3 3

FILE PATH  
g:\cadkey\parts\stock\plugbnpr\12-3.prt