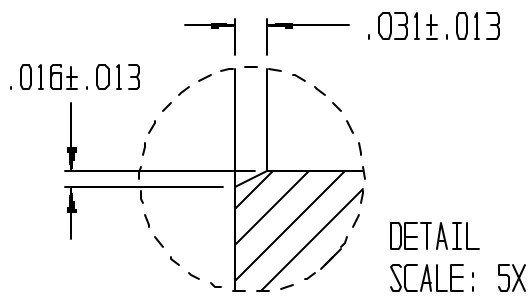
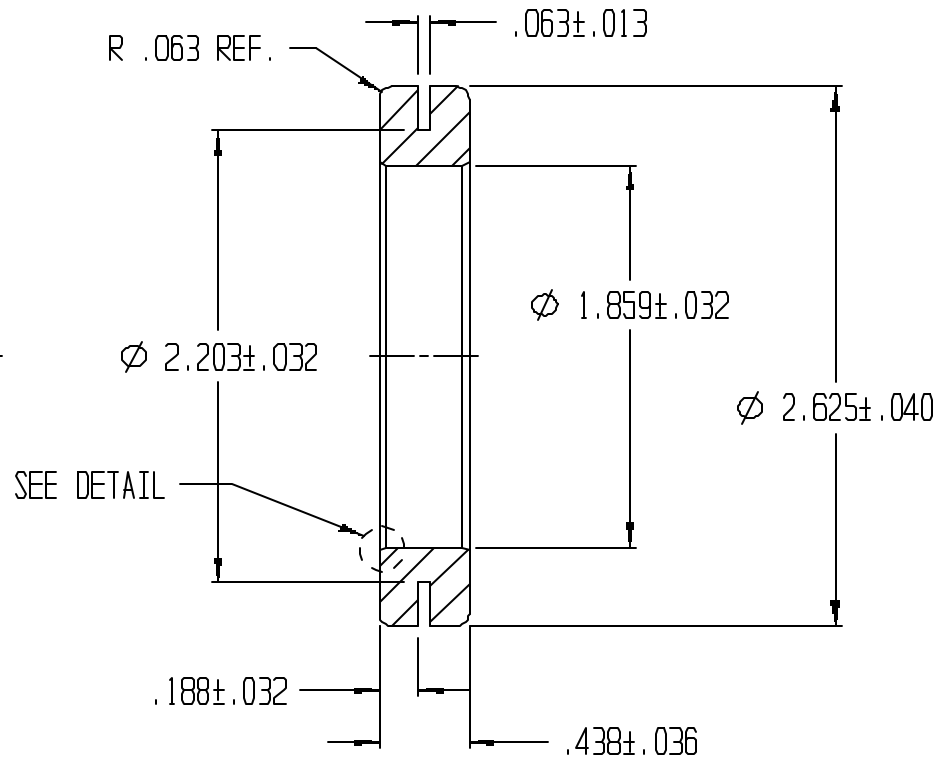
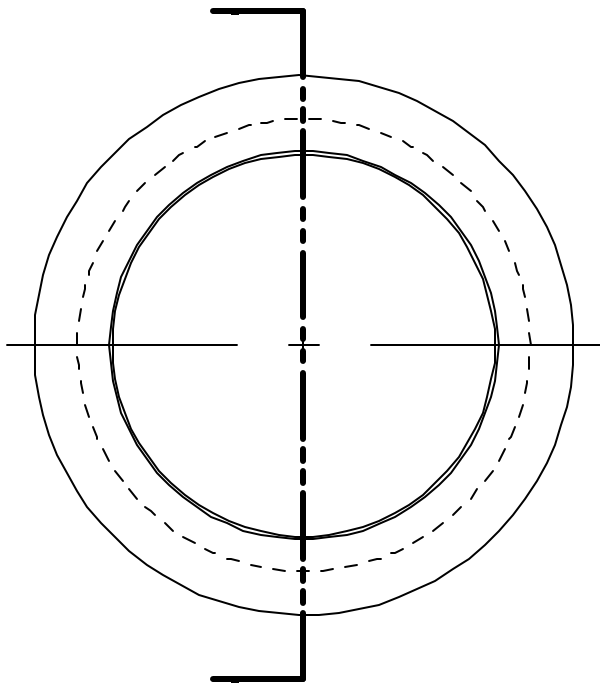


REVISIONS					
REV.	ZONE	BY	DESCRIPTION	DATE	APPROVED
3		MAD	REDRAWN TO CADKEY	11/4/97	
4		MAD	ADDED REF. TO R .062 DIM.	4/1/98	



UNLESS OTHERWISE SPECIFIED
DIMENSIONS ARE IN INCHES
TOLERANCES ARE
DECIMALS MM ANGULAR



LAVELLE IND., INC.
665 McHENRY St. BURLINGTON, WISC. 53105
Ph. 414/763-2434 Fax 414/763-5607

TITLE GROMMET

MATERIAL F55004 SHEET 1 OF 1

DRAWN M A DEAN DATE 12/14/92

SIZE A SCALE 1X PART NO. 1070 REV. 4

CHECK DATE

DESIGN DATE

FILE g:\cadkey\parts\stock\grommets\1070.prt