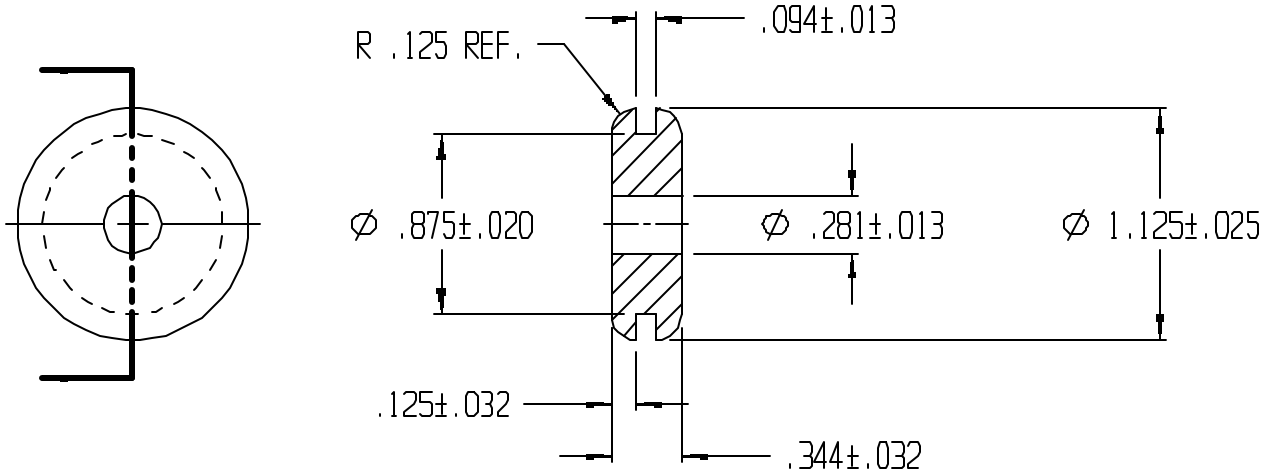
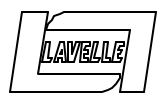


| REVISIONS | | | | | |
|-----------|------|-----|----------------------------|----------|----------|
| REV. | ZONE | BY | DESCRIPTION | DATE | APPROVED |
| 3 | | MAD | REDRAWN TO CADKEY | 10/31/97 | |
| 4 | | MAD | CHANGED R .125 TO REF. DIM | 2/6/98 | |



UNLESS OTHERWISE SPECIFIED
DIMENSIONS ARE IN INCHES
TOLERANCES ARE
DECIMALS MM ANGULAR



LAVELLE IND., INC.
665 McHENRY St. BURLINGTON, WISC. 53105
Ph. 414/763-2434 Fax 414/763-5607

TITLE
GROMMET

MATERIAL
F55004

SHEET OF
1 1

DRAWN
M A DEAN

DATE
12/9/92

SIZE SCALE PART NO. REV.
A 1X 1028 4

CHECK

DATE

FILE
g:\cadkey\parts\stock\grommets\1028.prt

DESIGN

DATE