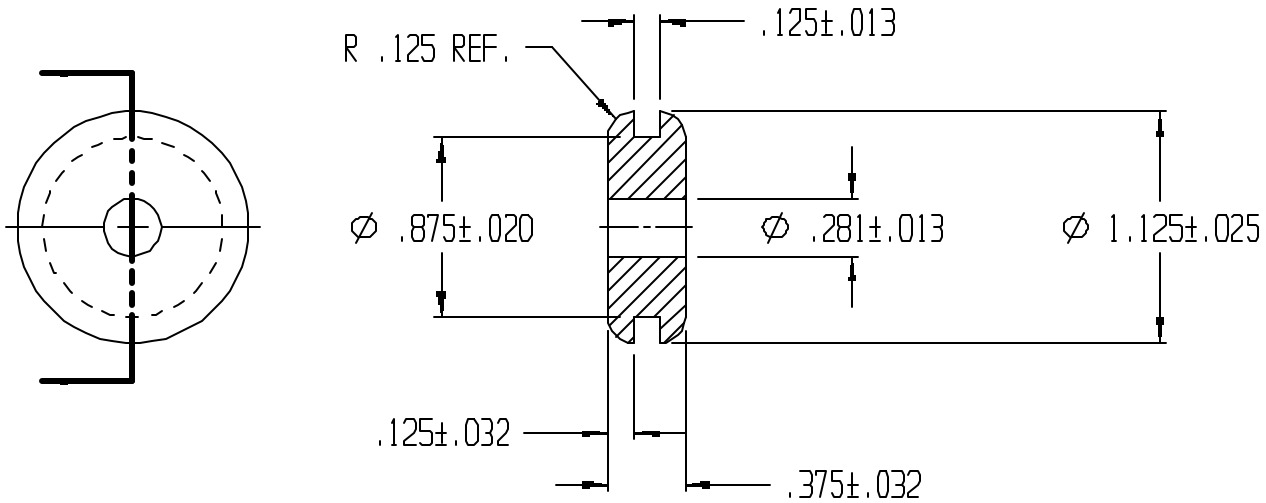


REVISIONS					
REV.	ZONE	BY	DESCRIPTION	DATE	APPROVED
3		MAD	REDRAWN TO CADKEY	10/31/97	
4		MAD	ADDED REF. TO R .125	1/22/98	



UNLESS OTHERWISE SPECIFIED
DIMENSIONS ARE IN INCHES
TOLERANCES ARE
DECIMALS MM ANGULAR



LAVELLE IND., INC.
665 McHENRY St. BURLINGTON, WISC. 53105
Ph. 414/763-2434 Fax 414/763-5607

TITLE
GROMMET

MATERIAL
F55004

SHEET OF
1 1

DRAWN
M A DEAN

DATE
12/9/92

SIZE SCALE PART NO. REV.
A 1X 1019 4

CHECK

DATE

FILE
g:\cadkey\parts\stock\grommets\1019.prt

DESIGN

DATE