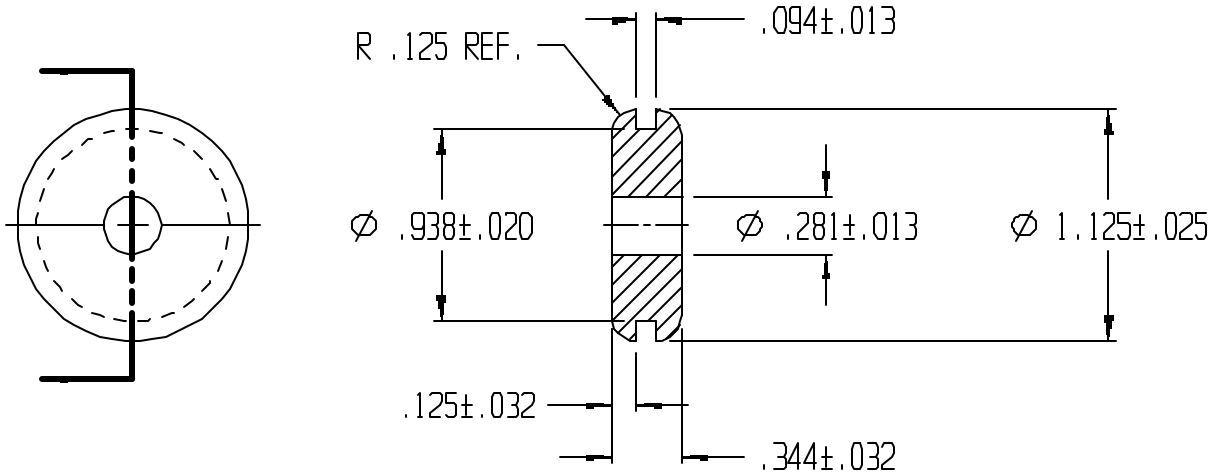


REVISIONS					
REV.	ZONE	BY	DESCRIPTION	DATE	APPROVED
3		MAD	REDRAWN TO CADKEY	10/31/97	
4		MAD	ADDED REF. TO R .125	1/22/98	



UNLESS OTHERWISE SPECIFIED
DIMENSIONS ARE IN INCHES
TOLERANCES ARE
DECIMALS MM ANGLAR



LAVELLE IND., INC.
665 McHENRY St. BURLINGTON, WISC. 53105
Ph. 414/763-2434 Fax 414/763-5607

TITLE GROMMET

MATERIAL F55004 SHEET 1 OF 1

DRAWN M A DEAN DATE 12/9/92

SIZE A SCALE 1X PART NO. 1017 REV. 4

CHECK DATE

FILE g:\cadkey\parts\stock\gromnets\1017.prt

DESIGN DATE