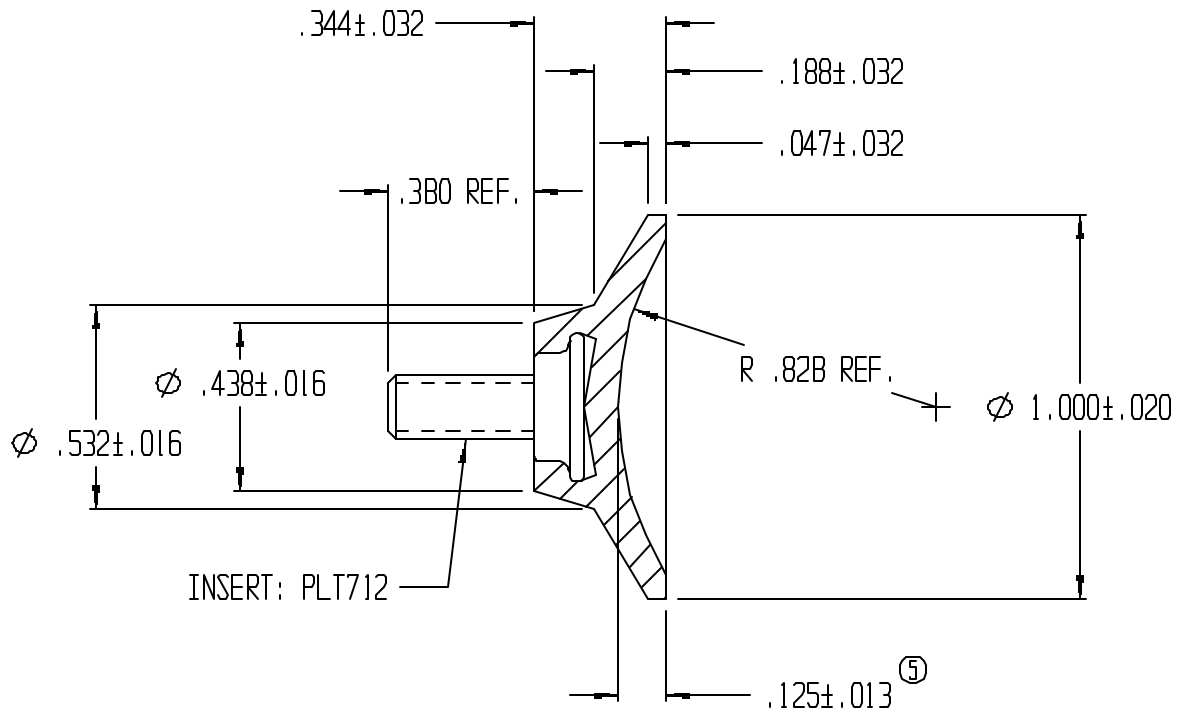
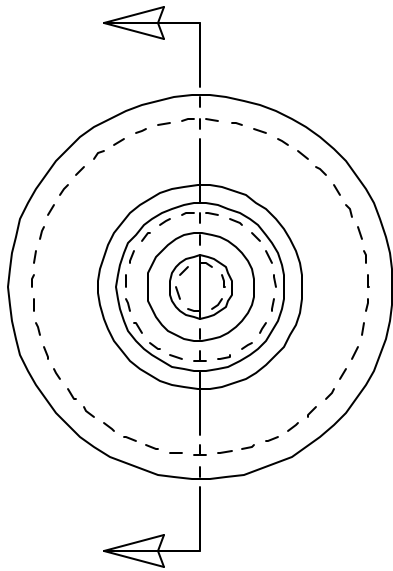


| REVISIONS |      |     |                   |          |          |
|-----------|------|-----|-------------------|----------|----------|
| REV.      | ZONE | BY  | DESCRIPTION       | DATE     | APPROVED |
| 4         |      | MAD | REVISED & REDRAWN | 11/18/98 |          |
| 5         |      | MAD | .125 WAS .250     | 9/3/99   |          |



|  |  |                 |  |  |  |
|--|--|-----------------|--|--|--|
| UNLESS OTHERWISE SPECIFIED<br>DIMENSIONS ARE IN INCHES |  | LAVELLE         |  | LAVELLE IND., INC.   |  |
| TOLERANCES ARE<br>DECIMALS      MM      ANGULAR        |  |                 |  | 665 McHENRY St.    BURLINGTON, WISC. 53105<br>Ph. 414/763-2434    Fax 414/763-5807 |  |
|  |  | TITLE           |  | SUCTION CUP  |  |
|  |  | MATERIAL        |  | F55004   |  |
| DRAW<br>M A DEAN                                       |  | DATE<br>1/13/93 |  | SHEET 1 OF 1   |  |
| CHECK  |  | DATE            |  | REV. 5   |  |
| DESIGN   |  | DATE            |  | PART NO. 100MS2  |  |
|  |  | FILE PATH       |  | g:\cadkey\parts\stock\suc-cups\100MS2.prt  |  |