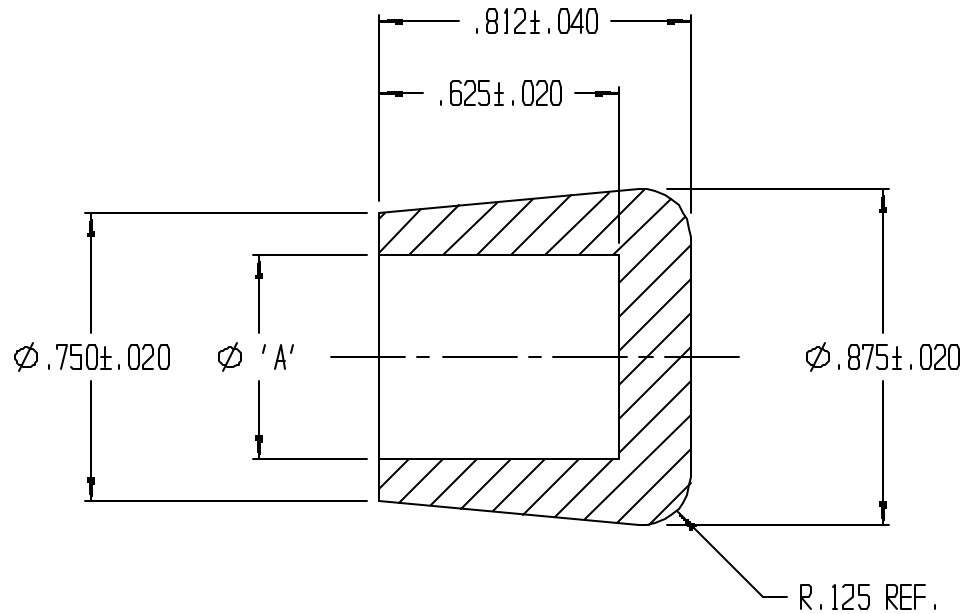
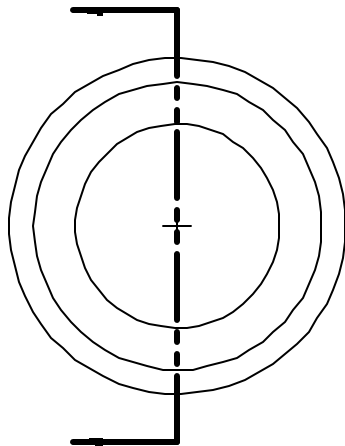


REVISIONS					
REV.	ZONE	BY	DESCRIPTION	DATE	APPROVED
2		MAD	REVISED & REDRAWN // ADDED P/N T2029	2/21/2000	



PART NO.	Ø 'A'
T202B	.625 ± .020
T2029	.531 ± .016

UNLESS OTHERWISE SPECIFIED  
DIMENSIONS ARE IN INCHES  
TOLERANCES ARE  
DECIMALS .001 ANGLAR



LAVELLE IND., INC.  
665 McHENRY St. BURLINGTON, WISC. 53105  
Ph. 262/763-2434 Fax 262/763-5807

TITLE TIP		SHEET OF 1 1	
MATERIAL F56010		PART NO. SEE LIST	
SIZE A	SCALE 2x	REV. 2	
FILE PATH g:\cadkey\parts\stock\tip\T202B-29.prt			

DRAWN M A DEAN	DATE 11/4/92
CHECK	DATE
DESIGN	DATE