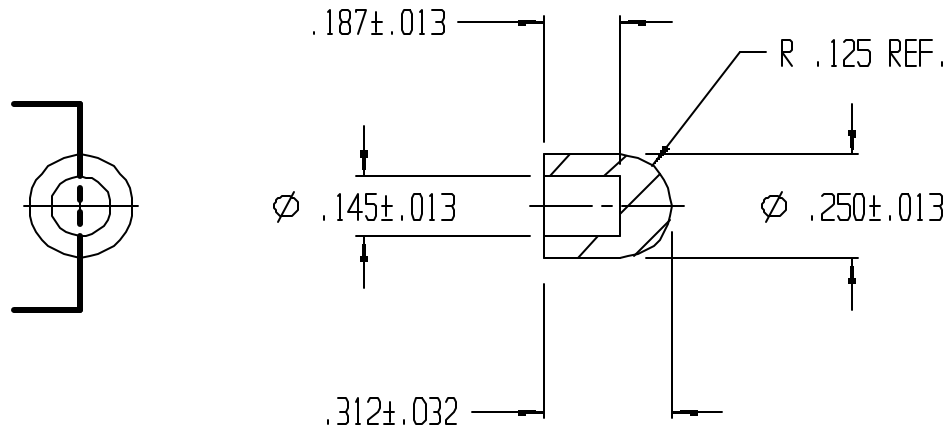



REVISIONS					
REV.	ZONE	BY	DESCRIPTION	DATE	APPROVED
2		MAD	REDRAWN TO CADKEY	6/2/97	
3		MAD	REVISED TOLERANCES	1/20/98	



PART NO.				 <b>LAVELLE IND., INC.</b> 665 McHENRY St. BURLINGTON, WISC. 53105 Ph. 414/763-2434 Fax 414/763-5607	
				TITLE <b>TIP</b>	
				MATERIAL <b>F55004</b>	
DRAWN M A DEAN		DATE 11/4/92		SHEET 1 OF 1	
CHECK		DATE		SIZE <b>A</b>	
DESIGN		DATE		SCALE <b>2x</b>	
				PART NO. <b>T4</b>	
				REV. <b>3</b>	
				FILE g:\cadkey\parts\stock\tips\t4.prt	