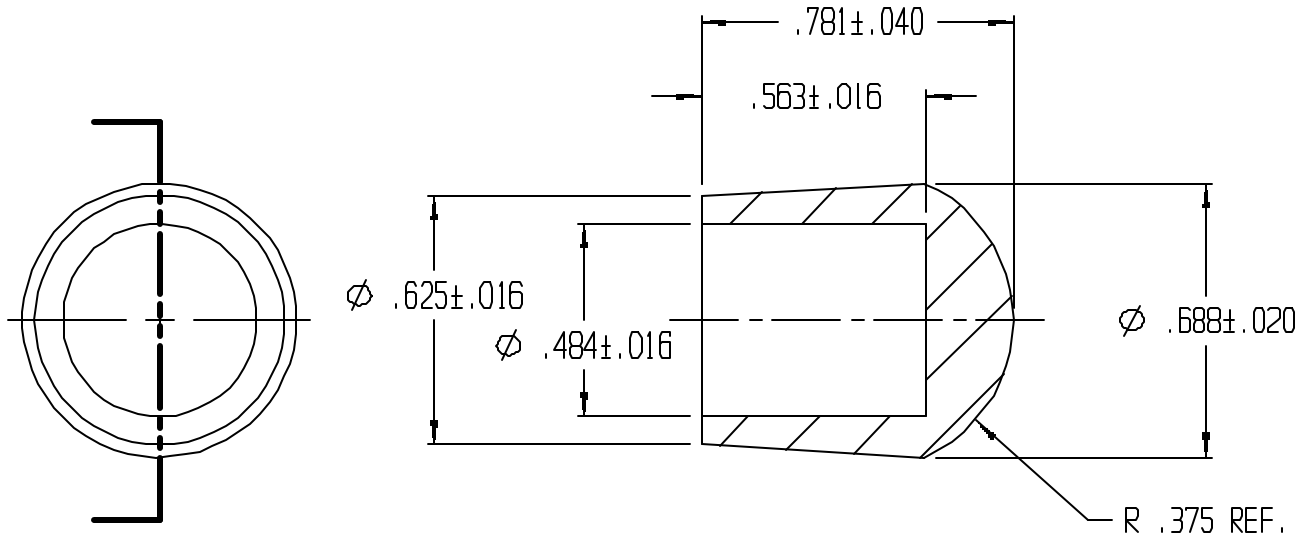


REVISIONS					
REV.	ZONE	BY	DESCRIPTION	DATE	APPROVED
4		MAD	REDRAWN TO CADKEY	1/20/98	



UNLESS OTHERWISE SPECIFIED DIMENSIONS ARE IN INCHES		LAVELLE		LAVELLE IND., INC.	
TOLERANCES ARE				665 McHENRY St. BURLINGTON, WISC. 53105	
DECIMALS	MM	ANGULAR		Ph. 414/763-2434 Fax 414/763-5607	
DRAWN M A DEAN		DATE 11/4/92		TITLE TIP	
CHECK		DATE		MATERIAL F56010	
DESIGN		DATE		SHEET 1	
				OF 1	
				PART NO. T37	
				REV. 4	
				FILE PATH g:\cadkey\parts\stock\tip\t37.prt	