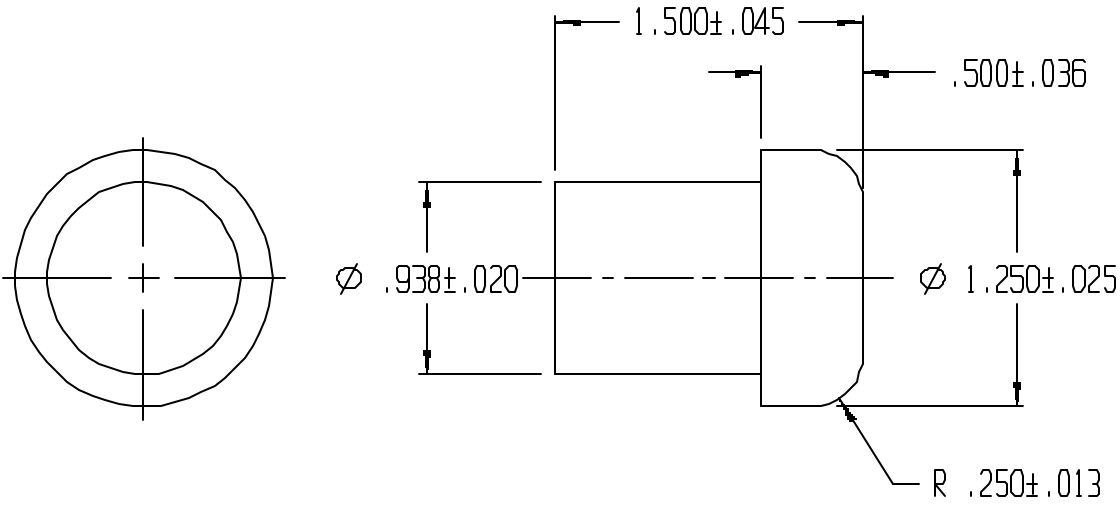


REVISIONS					
REV.	ZONE	BY	DESCRIPTION	DATE	APPROVED
3		MAD	REDRAWN TO CADKEY	8/25/97	



UNLESS OTHERWISE SPECIFIED DIMENSIONS ARE IN INCHES		LAVELLE		LAVELLE IND., INC.	
TOLERANCES ARE				665 McHENRY St. BURLINGTON, WISC. 53105	
DECIMALS	MM	ANGULAR		Ph. 414/763-2434 Fax 414/763-5607	
		TITLE MUSHROOM BUMPER			
		MATERIAL F57006		SHEET 1	OF 1
DRAWN M A DEAN	DATE 10/23/92	SIZE A	SCALE 1X	PART NO. 318M	
CHECK	DATE	FILE g:\codkey\parts\stock\bumpers\318n.prt		REV. 3	
DESIGN	DATE				