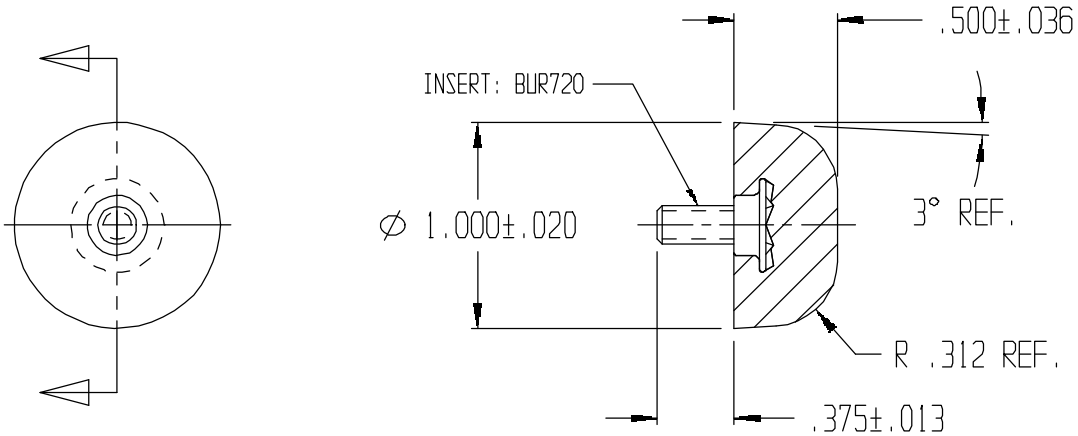


REVISIONS					
REV.	ZONE	BY	DESCRIPTION	DATE	APPROVED
4		MAD	REDRAWN TO CADKEY	8/22/97	
5		MAD	ADDED REF. TO R .312 DIM.	3/11/98	



UNLESS OTHERWISE SPECIFIED
DIMENSIONS ARE IN INCHES

TOLERANCES ARE
DECIMALS MM ANGULAR

DRAWN	DATE
M A DEAN	1/6/93
CHECK	DATE
DESIGN	DATE



LAVELLE IND., INC.
665 McHENRY St. BURLINGTON, WISC. 53105

TITLE			
MACHINE SCREW BUMPER			
MATERIAL			SHEET OF
F57014			1 1
SIZE	SCALE	PART NO.	REV.
A	1X	1MSB	5
FILE			
g:\cadkey\parts\stock\bumpers\1msb.prt			