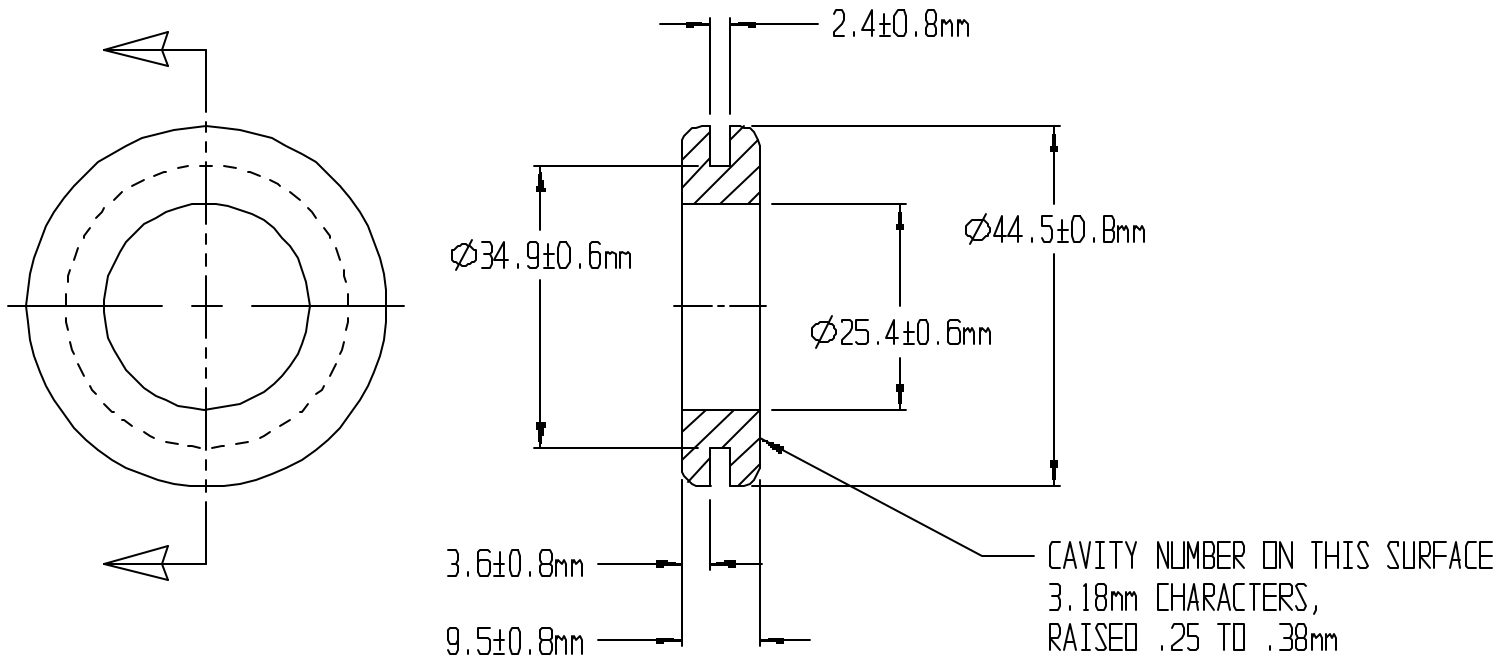


REVISIONS					
ECN	REV.	BY	DESCRIPTION	DATE	APPROVED
487	5	MAD	CHANGE DIMENSIONS TO MM REVISED MAT'L 'Z1' CALLOUT REVISED NOTE #3	05/11/02	



NOTES:

- MATERIAL: ASTM D2000-01 M5AA510 A13 B13 G21 Z1
 (5) Z1 = NO RECYCLED RUBBER
- BULK PACK IN PLASTIC LINED CONTAINER; 1,100 PCS. PER CARTON
- EACH CARTON TO BE IDENTIFIED AS PART #1044, 1100 PCS.

(5)

ALL INFORMATION CONTAINED IN THIS DOCUMENT IS THE SOLE PROPERTY OF LAVELLE IND., INC. AND MAY NOT BE USED WITHOUT PRIOR WRITTEN APPROVAL

UNLESS OTHERWISE SPECIFIED DIMENSIONS ARE IN INCHES		LAVELLE IND., INC.	
TOLERANCES ARE DECIMALS MM ANGULAR		665 McHENRY St. BURLINGTON, WISC. 53105 Ph. 414/763-2434 Fax 414/763-5607	
DRAWN M A DEAN		TITLE GROMMET	
DATE 05/11/02		MATERIAL SEE NOTE #1	
CHECK		SHEET OF 1 1	
DATE		PART NO. 1044	
DESIGN		REV. 5	
DATE		FILE PATH W:\CAD FILES\Cadkey\stock\gromnets\1044.prt	