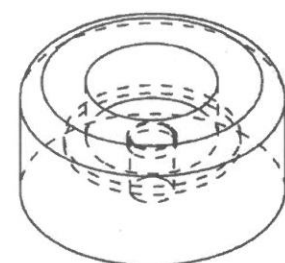
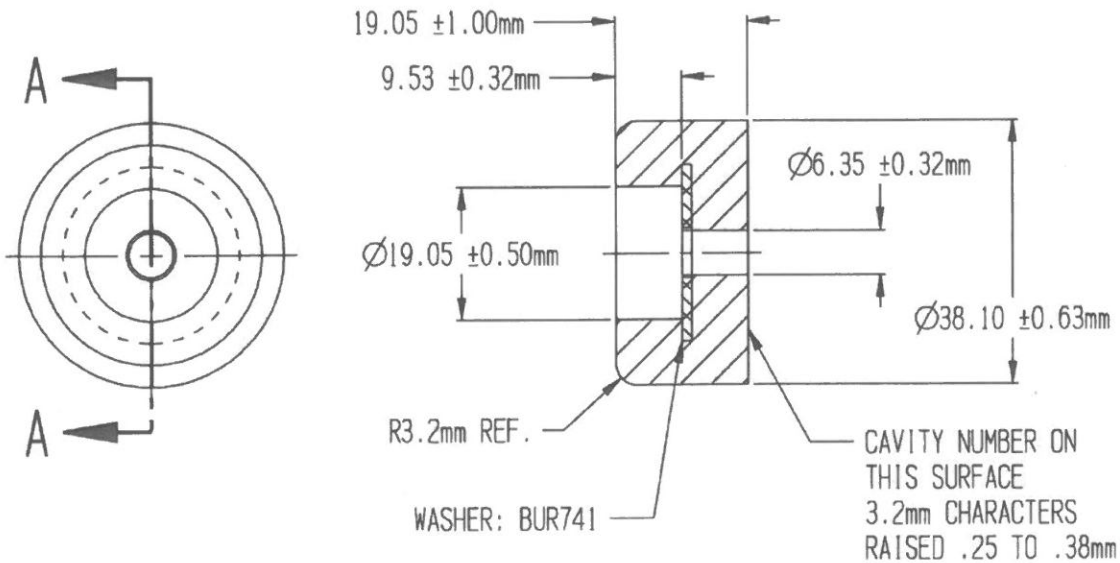


REVISION				
ECN	REV	DESCRIPTION	DATE	APPR
489	5	CHANGED DIMENSIONS TO MM REVISED MAT'L Z1 CALLOUT REVISED NOTE #2	11/06/02	
540	6	REVISED NOTE #2 AND ADDED NOTE #3	01/31/03	



VOLUME: 1.13in³

SECTION A-A
SCALE 1:1

- NOTES:
- MATERIAL: ASTM 02000-01 M2AA706 A13 Z1 Z2
Z1: NO RECYCLED RUBBER
Z2: NON MARKING
 - PACKAGING: BULK PACK; 450 PCS.CARTON
 - CARTON: EACH CARTON TO BE IDENTIFIED WITH PART NUMBER (791RW) & QTY (450 PCS)

UNLESS OTHERWISE SPECIFIED	NAME	DATE	Lavelle Industries, Inc.			
DIMENSIONS ARE IN MM TOLERANCES:	DRAWN	MAD			11/06/02	
	CHECKED					
	ENG APPR					
	MFG APPR					
INTERPRET GEOMETRIC TOLERANCING PER:	PROPRIETARY AND CONFIDENTIAL			TITLE RECESS BUMPER		
MATERIAL	THE INFORMATION CONTAINED IN THIS DRAWING IS THE SOLE PROPERTY OF LAVELLE INDUSTRIES, INC. ANY REPRODUCTION IN PART OR AS A WHOLE WITHOUT THE WRITTEN PERMISSION OF LAVELLE INDUSTRIES, INC. IS PROHIBITED.					
SEE NOTE #1	SIZE	DWG. NO.	REV			
DO NOT SCALE DRAWING	A	791RW	6	SCALE: 1.00	WEIGHT:	SHEET 1 OF 1

FILE PATH: N:\CAD\PARTS\STOCK\RECESS\PRV791RW.dwg