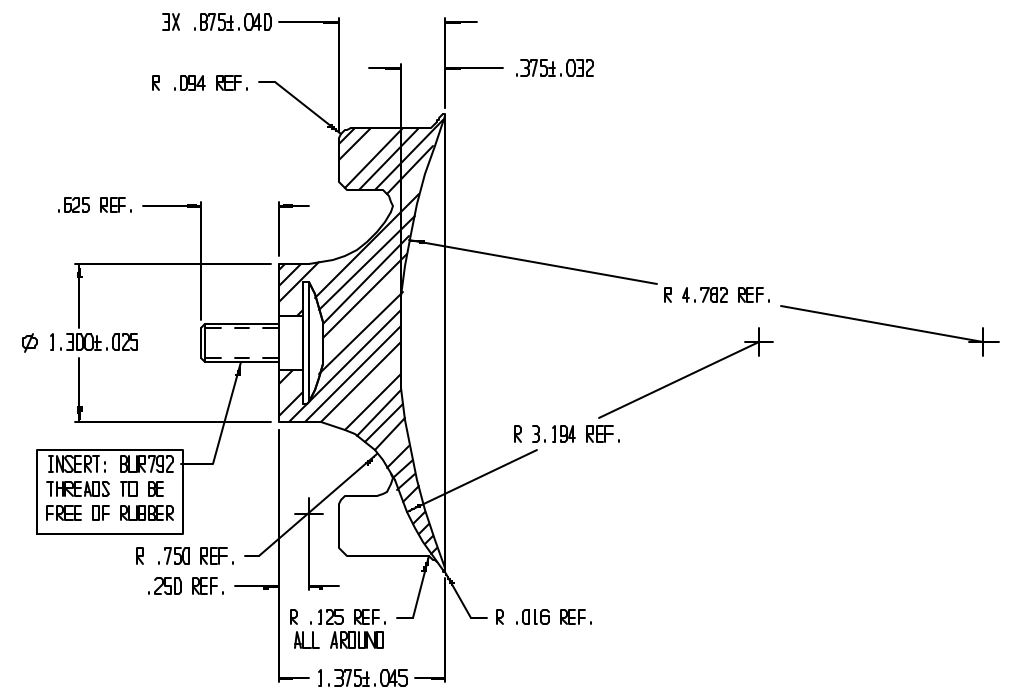
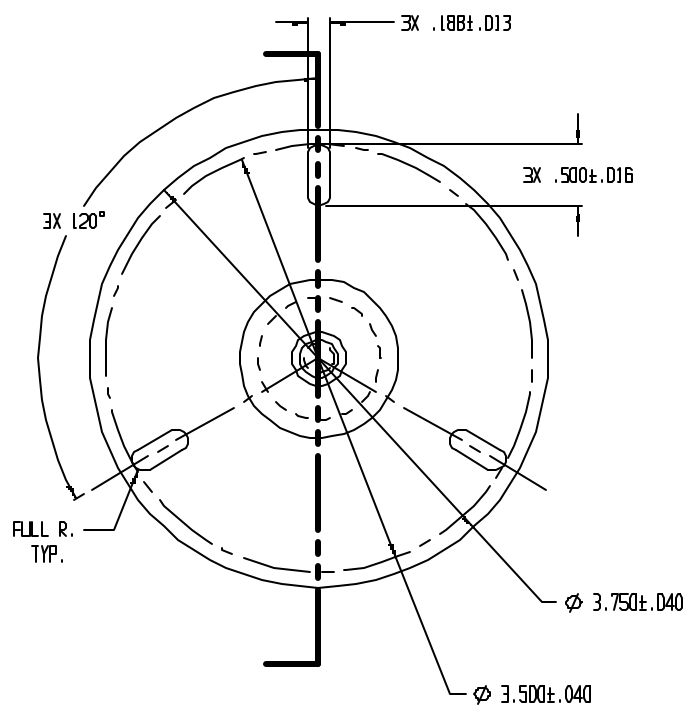


REVISIONS					
REV.	ZONE	BY	DESCRIPTION	DATE	APPROVED
5		MAU	REDRAWN - ADDED TOLERANCES	5/7/98	



INSERT: BUR792  
 THREADS TO BE  
 FREE OF RUBBER

UNLESS OTHERWISE SPECIFIED  
 DIMENSIONS ARE IN INCHES

TOLERANCES ARE  
 DECIMALS .010 .015 .020 .030 .050 .075 .100 .150 .250 .500 .750 1.000  
 ANGULAR ±.5° ±.75° ±1.0° ±1.5° ±2.0° ±3.0° ±4.0° ±5.0° ±6.0° ±8.0° ±10.0°

**LAVELLE** LAVELLE IND., INC.  
 665 McHENRY ST. BURLINGTON, WISC. 53105  
 Ph. 414/763-2434 Fax 414/763-5807

TITLE: SUCTION CUP

MATERIAL: FB5206 SHEET OF 1

SIZE: B SCALE: 1X PART NO.: 400MSG REV. 1

FILE PATH: g:\cadkey\parts\stack\suc-cups\400msg.prt

DRAWN: M A DEAN DATE: 11/17/92  
 CHECK: DATE: DESIGN: DATE: